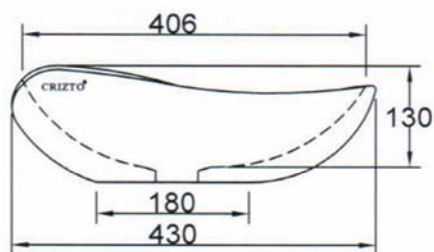
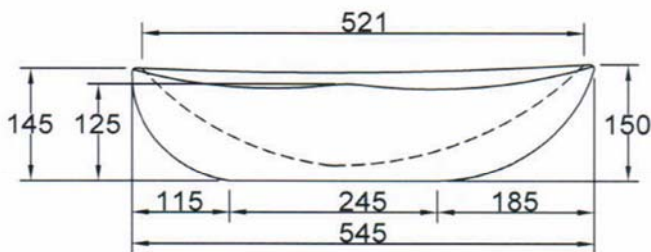
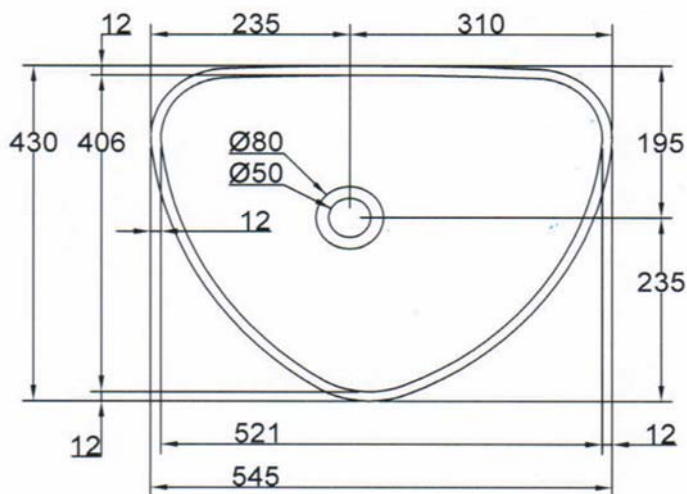


**CRIZTO SINGAPORE PTE LTD**

10 Tampines North Drive 4 #04-08/09/10/11  
 JTC Space @ Tampines North Singapore 528553  
 T: +65 6287 5287 | F: +65 6287 9287 | E: sales@crizto.com  
 W: www.crizto.com | www.facebook.com/CriztoSingapore



**SANITARY WARE SPECIFICATIONS & TECHNICAL DRAWINGS**



MODEL NO.	<b>CCB-81122-GWT</b>		SERIES	<b>ARTISTIC BASINS</b>	
DESCRIPTION	CRIZTO COVELLITE CRESCENT ARTISTIC BASIN				
DIMENSION	L545MM X W430MM X H150MM X D130MM				
SCALE	8KG	DATE	01-12-2016	DRAWING NO.	CCB-81122-GWT-01