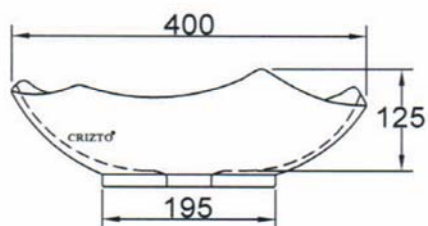
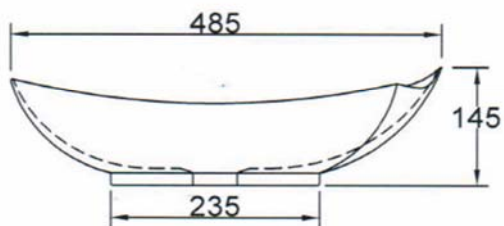
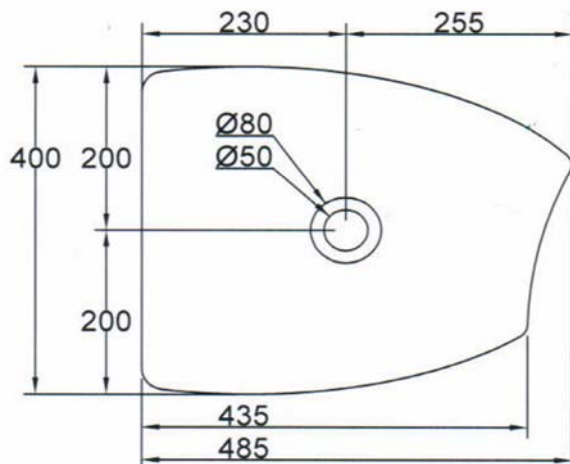


CRIZTO SINGAPORE PTE LTD

10 Tampines North Drive 4 #04-08/09/10/11
 JTC Space @ Tampines North Singapore 528553
 T: +65 6287 5287 | F: +65 6287 9287 | E: sales@crizto.com
 W: www.crizto.com | www.facebook.com/CriztoSingapore



SANITARY WARE SPECIFICATIONS & TECHNICAL DRAWINGS



MODEL NO.	CCB-81123-GWT		SERIES	ARTISTIC BASINS	
DESCRIPTION	CRIZTO WAVELLITE CRESCENT ARTISTIC BASIN				
DIMENSION	L485MM X W400MM X H145MM X D125MM				
SCALE	6.5KG		DATE	01-12-2016	
			DRAWING NO.	CCB-81123-GWT-01	