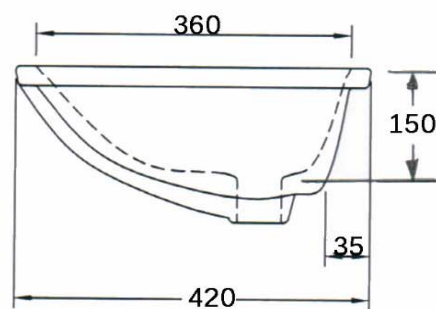
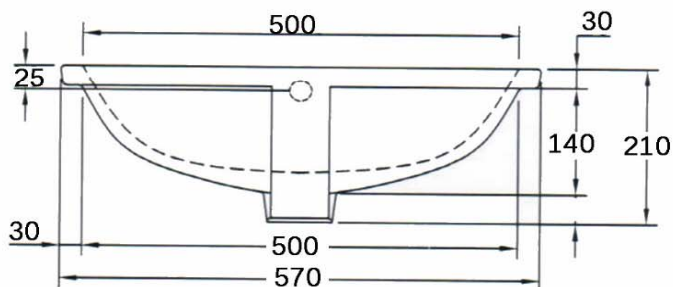
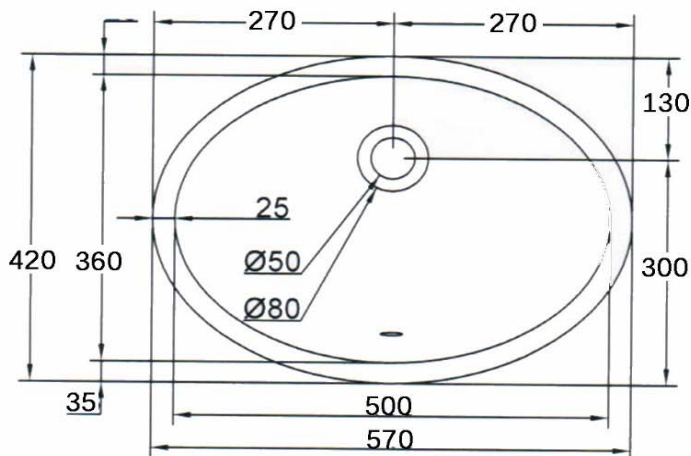


CRIZTO SINGAPORE PTE LTD

10 Tampines North Drive 4 #04-08/09/10/11
 JTC Space @ Tampines North Singapore 528553
 T: +65 6287 5287 | F: +65 6287 9287 | E: sales@crizto.com
 W: www.crizto.com | www.facebook.com/CriztoSingapore



SANITARY WARE SPECIFICATIONS & TECHNICAL DRAWINGS



MODEL NO.	CCB-85022-GWT		SERIES	ARTISTIC BASINS	
DESCRIPTION	CRIZTO 20" UNDER-COUNTER BASIN				
DIMENSION	L570MM X W420MM X H210MM X D150MM				
SCALE	8KG	DATE	01-02-2021	DRAWING NO.	CCB-85022-GWT-01