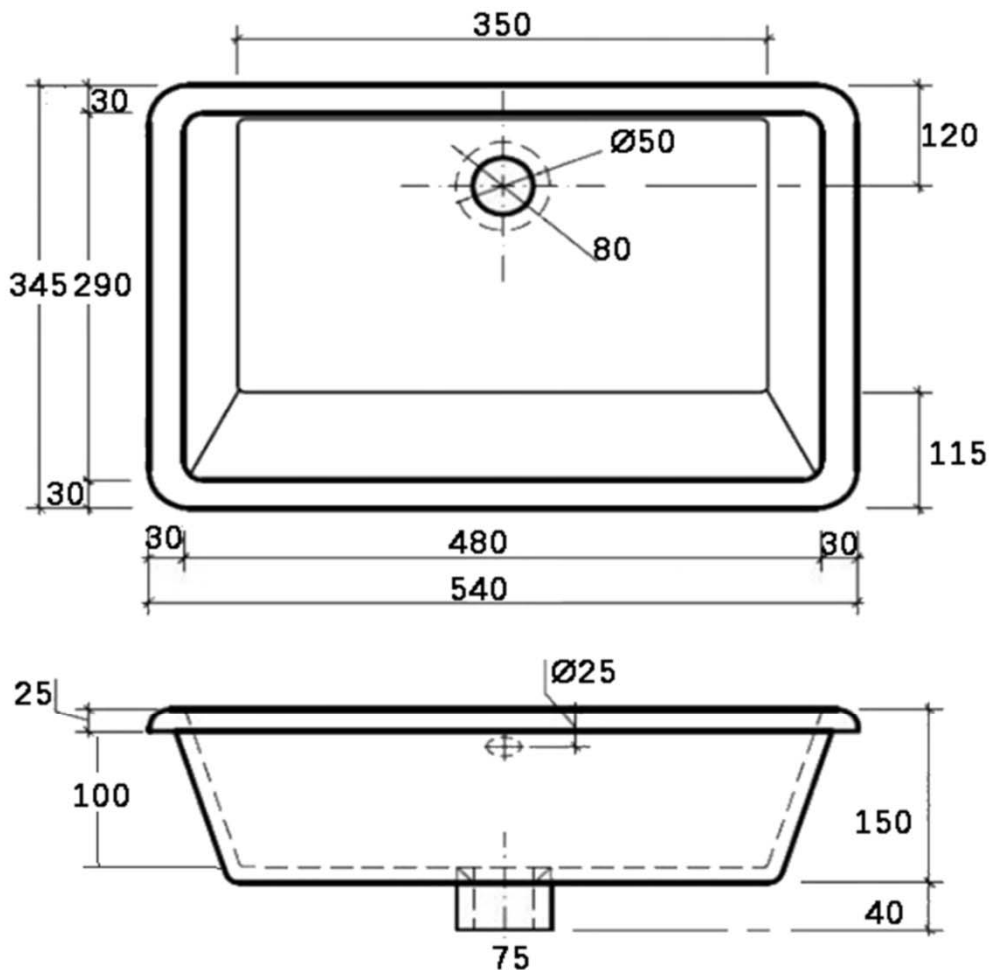


**CRIZTO SINGAPORE PTE LTD**

10 Tampines North Drive 4 #04-08/09/10/11  
 JTC Space @ Tampines North Singapore 528553  
 T: +65 6287 5287 | F: +65 6287 9287 | E: sales@crizto.com  
 W: www.crizto.com | www.facebook.com/CriztoSingapore



**SANITARY WARE SPECIFICATIONS & TECHNICAL DRAWINGS**



	MODEL NO.		SERIES	
	CUC-85416-GWT		ARTISTIC BASINS	
	DESCRIPTION			
	CRIZTO RECTANGULAR UNDER-COUNTER BASIN			
	DIMENSION			
L540MM X W345MM X H150MM X D100MM				
SCALE		DATE		DRAWING NO.
8.5KG		01-02-2020		CUC-85416-GWT-01