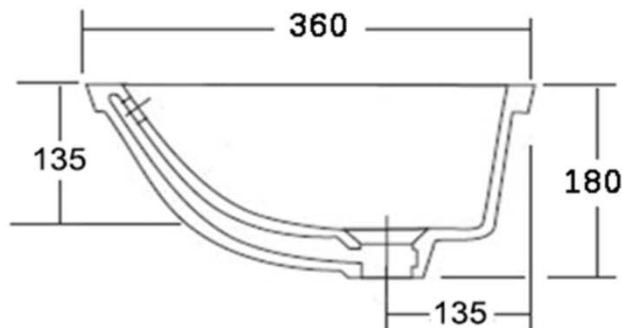
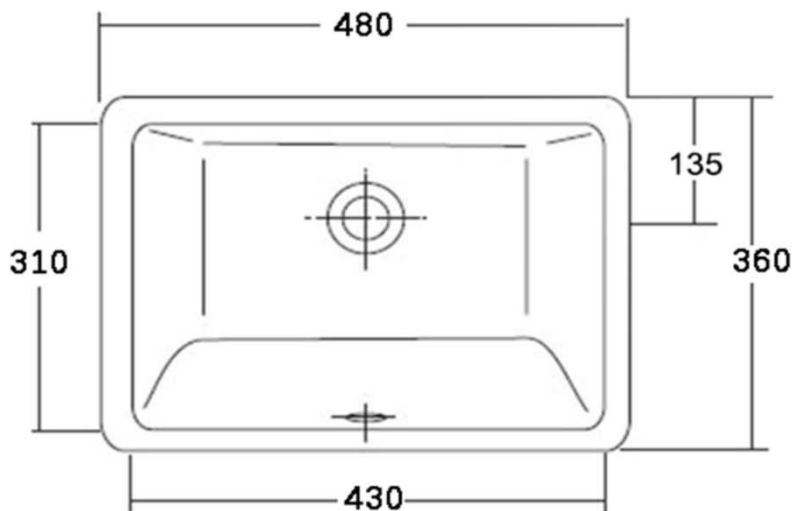


**CRIZTO SINGAPORE PTE LTD**

10 Tampines North Drive 4 #04-08/09/10/11  
 JTC Space @ Tampines North Singapore 528553  
 T: +65 6287 5287 | F: +65 6287 9287 | E: sales@crizto.com  
 W: www.crizto.com | www.facebook.com/CriztoSingapore

**CRIZTO®**

*a beautiful bathroom speaks well of its owner,  
 make yours speak for you!*

**SANITARY WARE SPECIFICATIONS & TECHNICAL DRAWINGS**

MODEL NO.

**CUC-85417-GWT**

SERIES

**ARTISTIC BASINS**

DESCRIPTION

CRIZTO RECTANGULAR UNDER-COUNTER BASIN

DIMENSION

L480MM X W360MM X H180MM

SCALE

7KG

DATE

01-02-2020

DRAWING NO.

CUC-85417-GWT-01