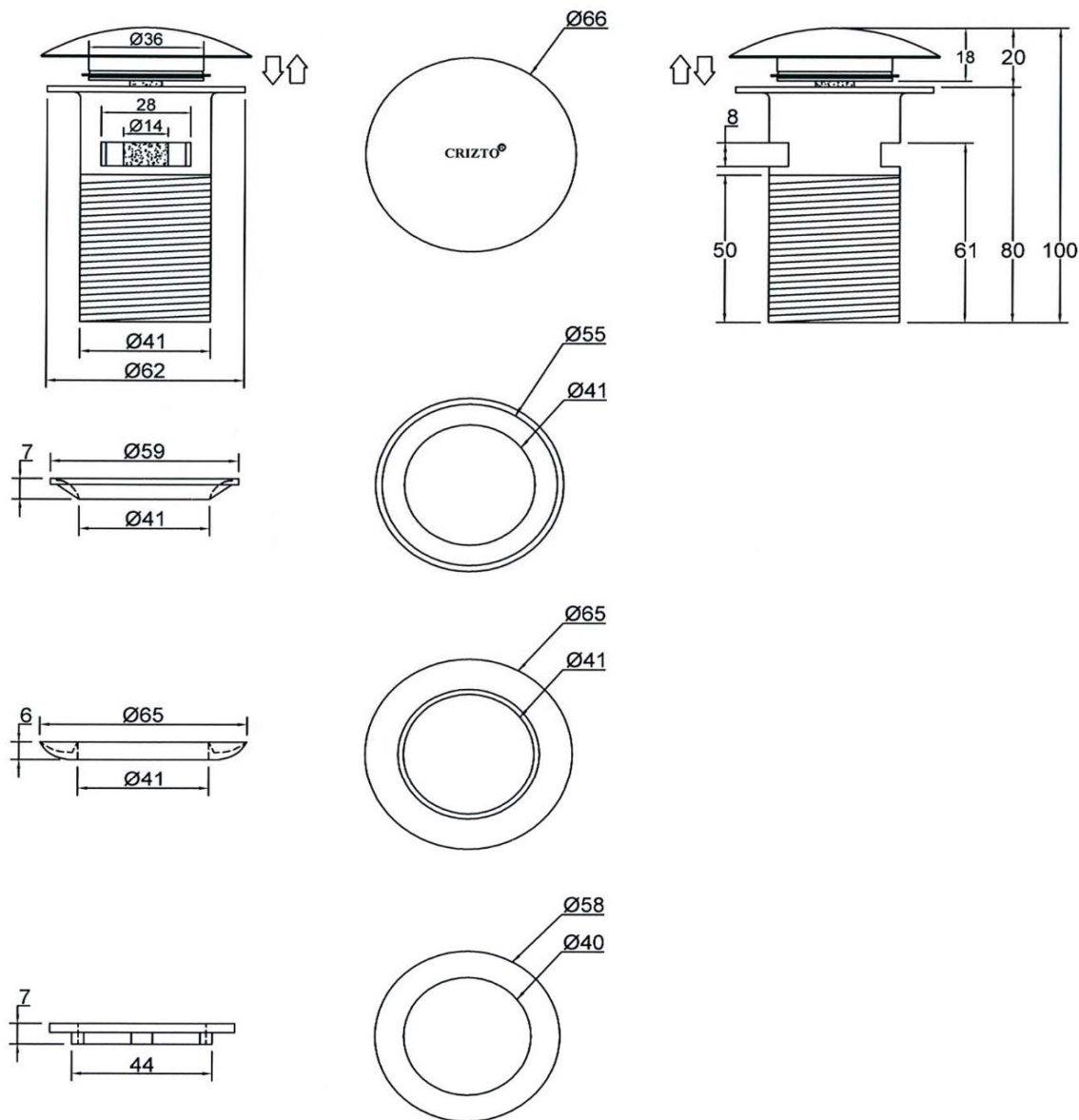


CRIZTO SINGAPORE PTE LTD

10 Tampines North Drive 4 #04-08/09/10/11
 JTC Space @ Tampines North Singapore 528553
 T: +65 6287 5287 | F: +65 6287 9287 | E: sales@crizto.com
 W: www.crizto.com | www.facebook.com/CriztoSingapore



SANITARY WARE SPECIFICATIONS & TECHNICAL DRAWINGS



MODEL NO.	CM-B20-C		SERIES	WASTE
DESCRIPTION	CRIZTO ROUND DOM WASTE WITH OVERFLOW HOLE			
DIMENSION	L80MM			
SCALE	DATE	DRAWING NO.		
	01-12-2016	CM-B20-C-01		