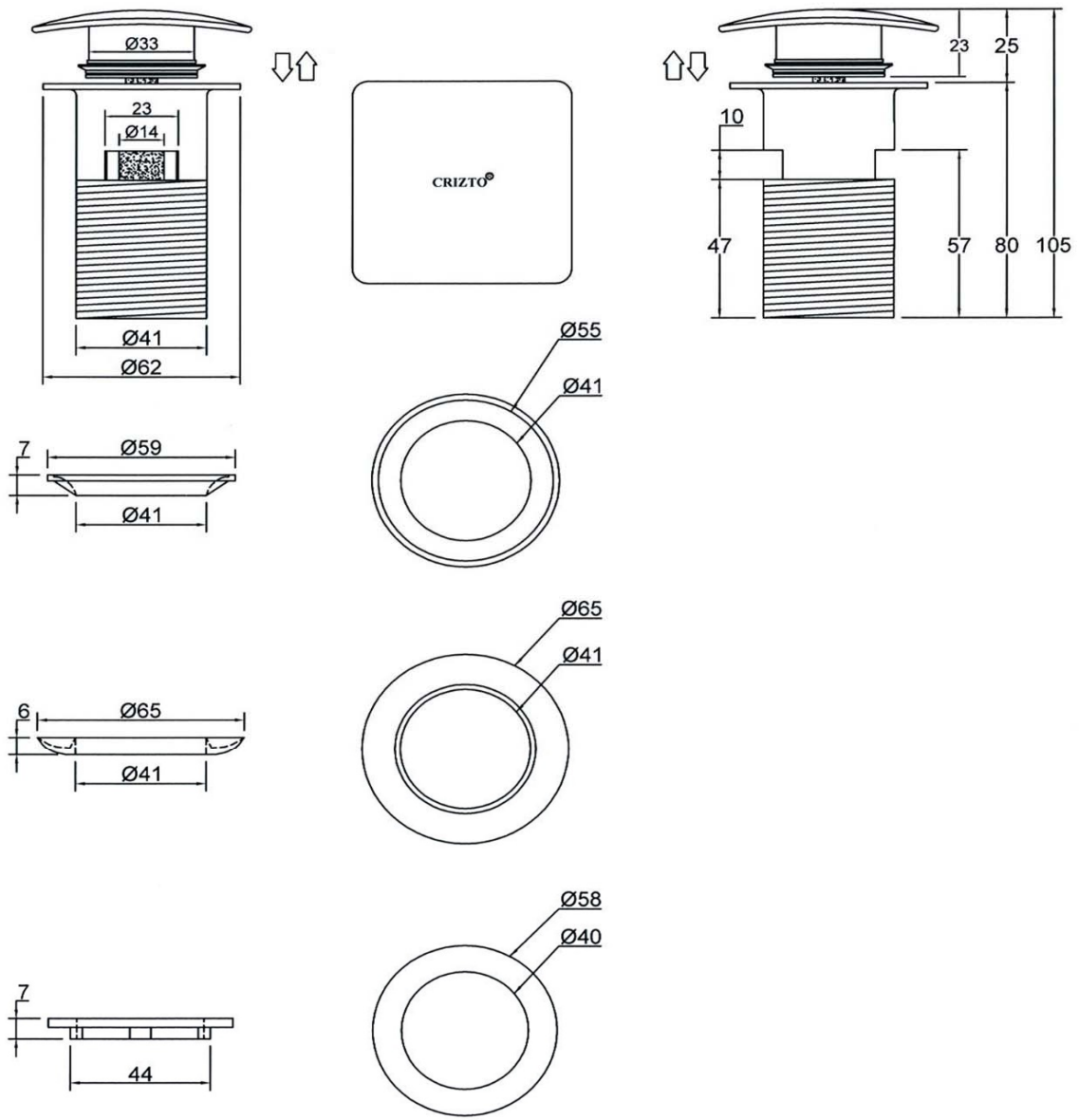


**CRIZTO SINGAPORE PTE LTD**

10 Tampines North Drive 4 #04-08/09/10/11  
 JTC Space @ Tampines North Singapore 528553  
 T: +65 6287 5287 | F: +65 6287 9287 | E: sales@crizto.com  
 W: www.crizto.com | www.facebook.com/CriztoSingapore

**CRIZTO**<sup>®</sup>  
*a beautiful bathroom speaks well of its owner,  
 make yours speak for you!*

**SANITARY WARE SPECIFICATIONS & TECHNICAL DRAWINGS**



MODEL NO.	<b>CM-B30-C</b>		SERIES	<b>WASTE</b>
DESCRIPTION	CRIZTO SQUARE DOM WASTE OVERFLOW HOLE			
DIMENSION	L80MM			
SCALE	DATE	DRAWING NO.		
	01-12-2016	CM-B30-C-01		