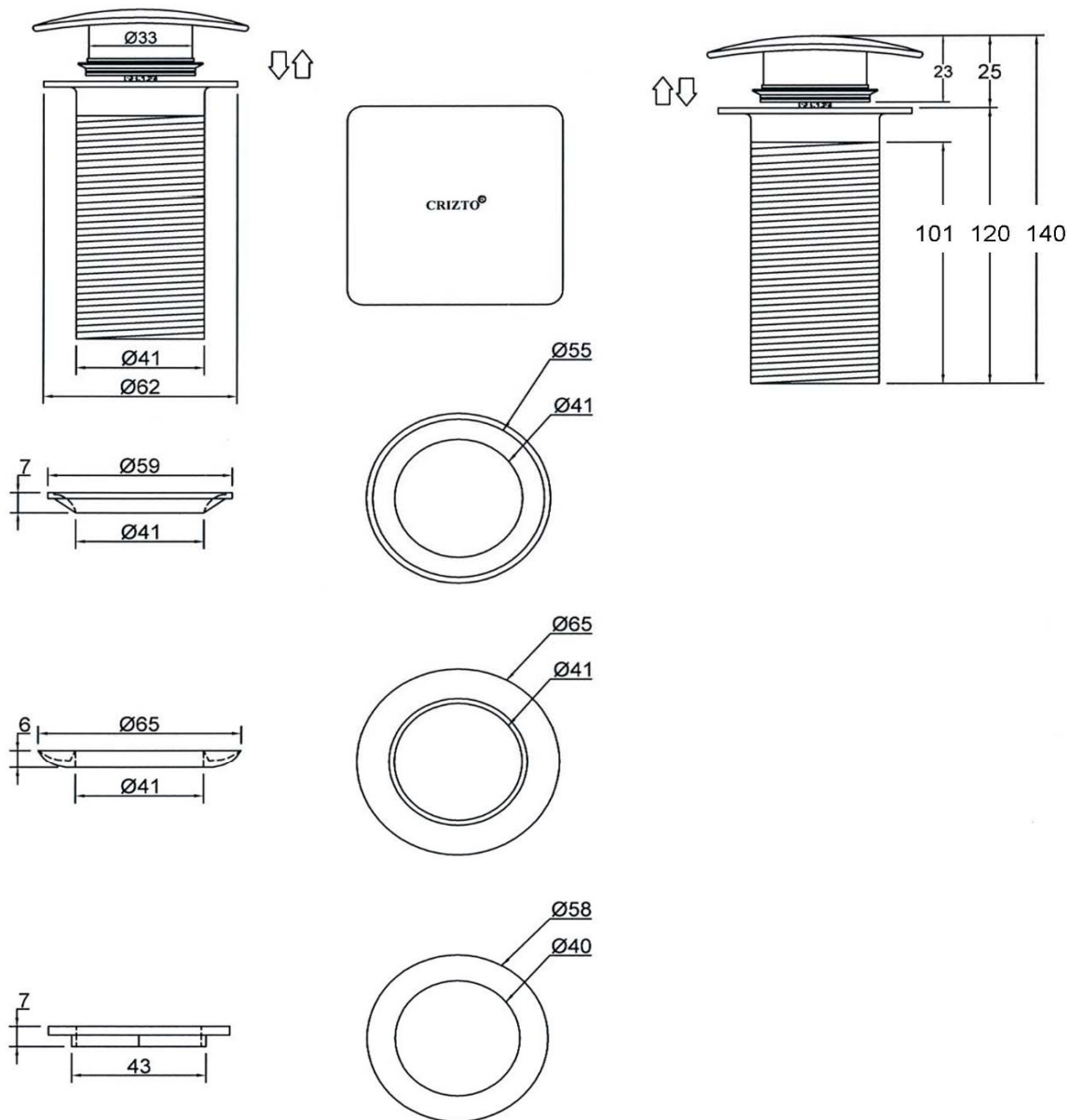



**CRIZTO SINGAPORE PTE LTD**

10 Tampines North Drive 4 #04-08/09/10/11  
 JTC Space @ Tampines North Singapore 528553  
 T: +65 6287 5287 | F: +65 6287 9287 | E: sales@crizto.com  
 W: www.crizto.com | www.facebook.com/CriztoSingapore



**SANITARY WARE SPECIFICATIONS & TECHNICAL DRAWINGS**



	MODEL NO. <b>CM-B31L-C</b>		SERIES <b>WASTE</b>
	DESCRIPTION CRIZTO SQUARE DOM WASTE		
	DIMENSION L120MM		
	SCALE	DATE 01-12-2016	DRAWING NO. CM-B31L-C-01