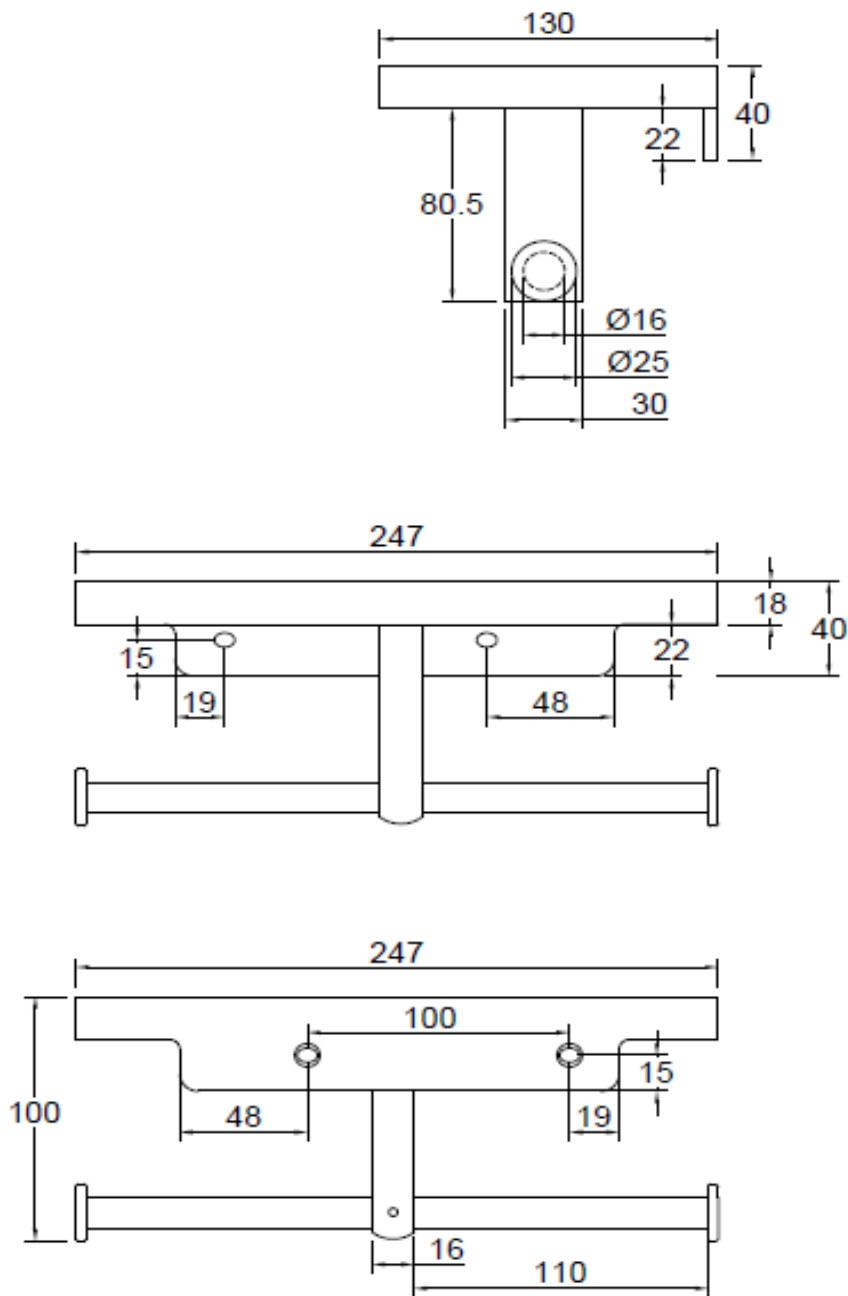


SANITARY WARE SPECIFICATIONS & TECHNICAL DRAWINGS



MODEL NO. CM-CT01-ABS		SERIES ABS SHELF
DESCRIPTION CRIZTO ABS SHELF WITH DOUBLE PAPER HOLDER		
DIMENSION		
SCALE 1:3	DATE 21-02-2018	DRAWING NO. CM-CT01-ABS-01