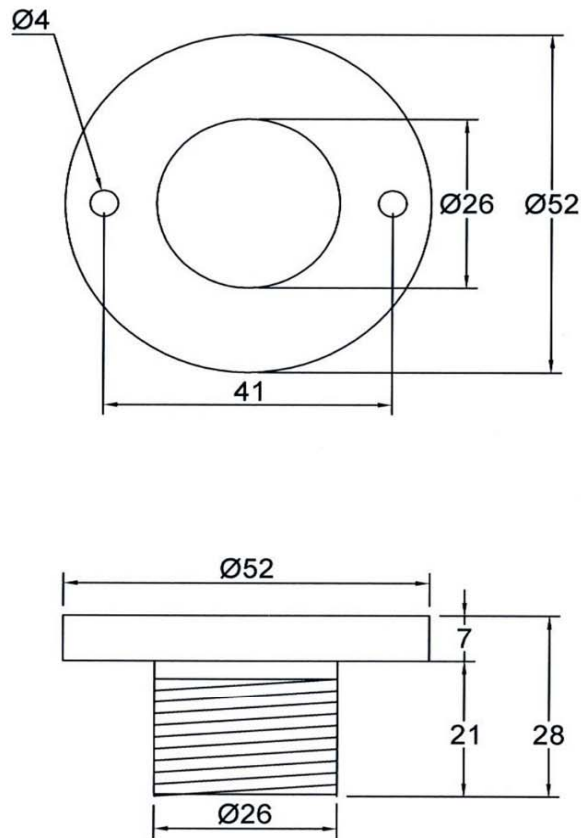


**SANITARY WARE SPECIFICATIONS & TECHNICAL DRAWINGS**



MODEL NO.	CM-F34M-NL		SERIES	FITTING SERIES	
DESCRIPTION	CRIZTO 3/4" NYLON WALL FIXTURE				
DIMENSION	D52MM X H29MM				
SCALE	1:1	DATE	01-12-2016	DRAWING NO.	CM-F34M-NL-01