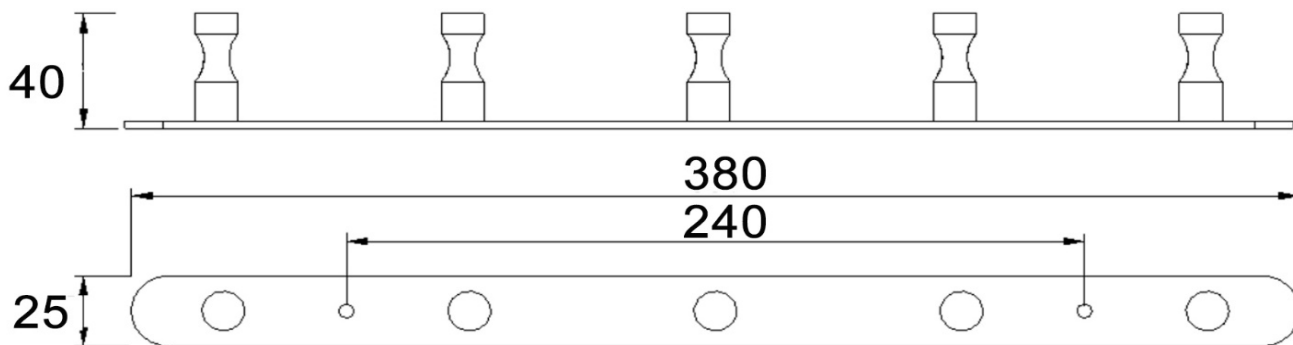


**CRIZTO SINGAPORE PTE LTD**

10 Tampines North Drive 4 #04-08/09/10/11  
JTC Space @ Tampines North Singapore 528553  
T: +65 6287 5287 | F: +65 6287 9287 | E: sales@crizto.com  
W: www.crizto.com | www.facebook.com/CriztoSingapore



**SANITARY WARE SPECIFICATIONS & TECHNICAL DRAWINGS**



MODEL NO.	<b>CMH-1115-SS</b>	SERIES	<b>ROBE HOOK</b>
DESCRIPTION	CRIZTO 5 'I' ROBE HOOK		
DIMENSION	L380MM X W40MM X H25MM		
SCALE	DATE	DRAWING NO.	
	28-11-2019	CMH-1115-SS-01	