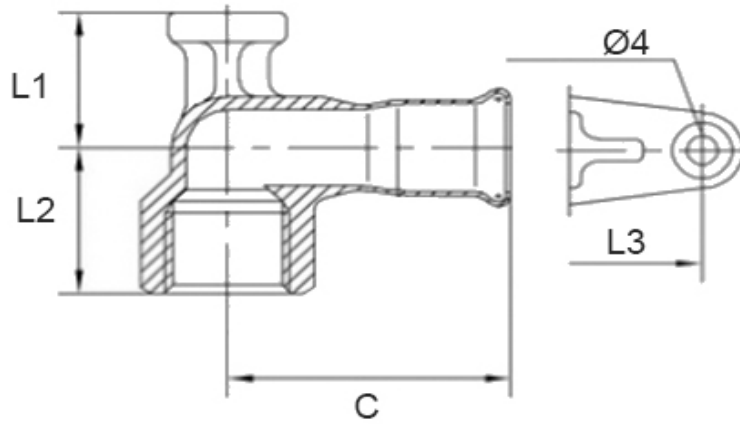


SANITARY WARE SPECIFICATIONS & TECHNICAL DRAWINGS



CODE	Description	OD	C	L1	L2	L3
CPF-90FFIP-15X15	15mm X 1/2" 90 Elbow Plate F	15x1/2"	50	15	25	18



MODEL NO.	CPF-90FFIP		SERIES	FITTINGS
DESCRIPTION	90° ELBOW PLATE FMI			
DIMENSION				
SCALE	DATE	DRAWING NO.		
	01-02-2021	CPF-90FFIP-01		