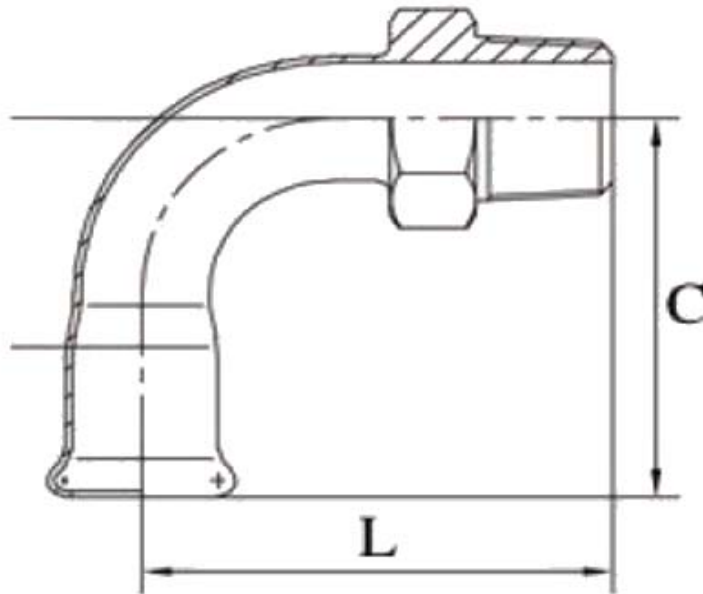


**SANITARY WARE SPECIFICATIONS & TECHNICAL DRAWINGS**



CODE	Description	OD	C	L
CPF-90FMIL-15X15	15mm X 1/2" 90 Elbow FMIL	15X1/2"	40	45
CPF-90FMIL-22X22	22mm X 3/4" 90 Elbow FMIL	22X3/4"	50	55
CPF-90FMIL-28X28	28mm X 1" 90 Elbow FMIL	28X1"	63	65
CPF-90FMIL-35X35	35mm X 1-1/4" 90 Elbow FMIL	35X1-1/4"	70	75
CPF-90FMIL-42X42	42mm X 1-1/2" 90 Elbow FMIL	42X1-1/2"	88	90
CPF-90FMIL-54X42	54mm X 1-1/2" 90 Elbow FMIL	54X1-1/2"	110	120
CPF-90FMIL-54X54	54mm X 2" 90 Elbow FMIL	54X2"	110	110



MODEL NO. <b>CPF-90FMIL</b>		SERIES <b>FITTINGS</b>
DESCRIPTION 90° ELBOW FFIL		
DIMENSION		
SCALE	DATE 01-02-2021	DRAWING NO. CPF-90FMIL-01