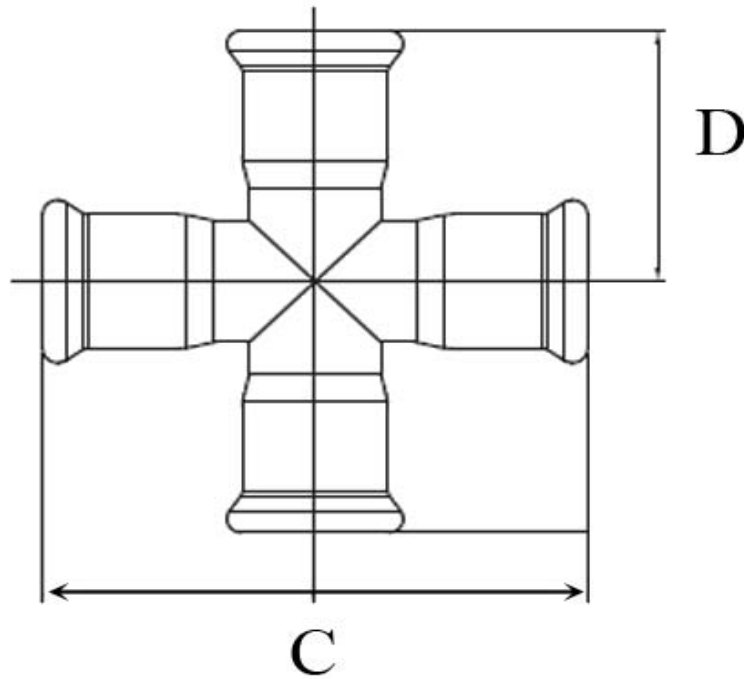


**SANITARY WARE SPECIFICATIONS & TECHNICAL DRAWINGS**



CODE	Description	OD	C	D
CPF-CF4E-15	15mm Equal Cross 4F	15	68	35
CPF-CF4E-22	22mm Equal Cross 4F	22	77	40
CPF-CF4E-28	28mm Equal Cross 4F	28	89	45
CPF-CF4E-35	35mm Equal Cross 4F	35	102	50
CPF-CF4E-42	42mm Equal Cross 4F	42	123	65
CPF-CF4E-54	54mm Equal Cross 4F	54	142	70



MODEL NO. <b>CPF-CF4E</b>	SERIES <b>FITTINGS</b>
DESCRIPTION <b>EQUAL CROSS 4F</b>	
DIMENSION	
SCALE	DATE <b>01-02-2021</b>
DRAWING NO. <b>CPF-CF4E-01</b>	