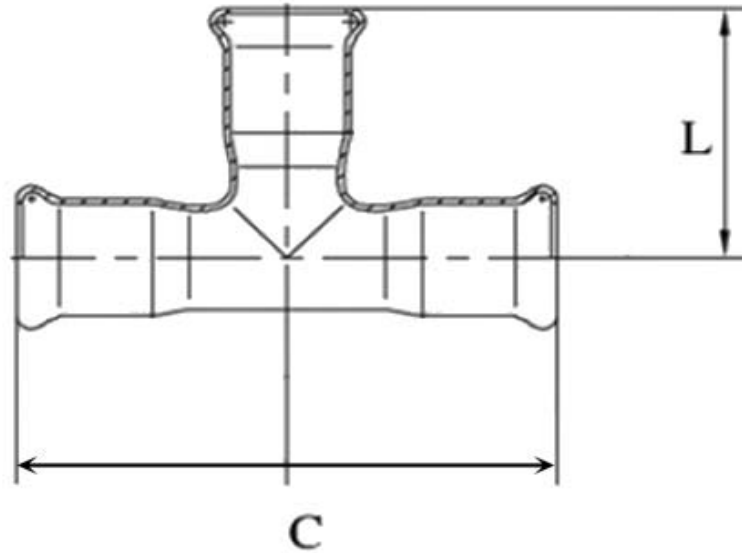


SANITARY WARE SPECIFICATIONS & TECHNICAL DRAWINGS



CODE	Description	OD	C	L
CPF-TF3E-15	15mm Equal Tee 3F	15	67	32
CPF-TF3E-22	22mm Equal Tee 3F	22	76	40
CPF-TF3E-28	28mm Equal Tee 3F	28	88	45
CPF-TF3E-35	35mm Equal Tee 3F	35	102	50
CPF-TF3E-42	42mm Equal Tee 3F	42	120	60
CPF-TF3E-54	54mm Equal Tee 3F	54	142	75



MODEL NO.	CPF-TF3E	SERIES	FITTINGS
DESCRIPTION	EQUAL TEE 3F		
DIMENSION			
SCALE	DATE	DRAWING NO.	
	01-02-2021	CPF-TF3E-01	