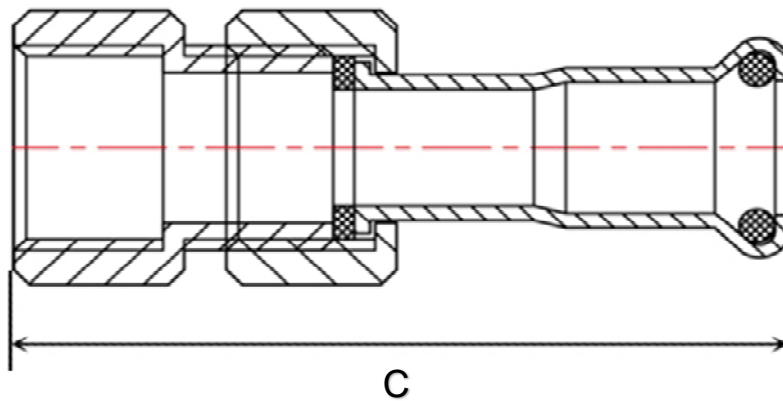


SANITARY WARE SPECIFICATIONS & TECHNICAL DRAWINGS



CODE	Description	OD	C
CPF-UFFI-15X15	15mm X 1/2" Union Set FFI	15X1/2"	82
CPF-UFFI-15X22	15mm X 3/4" Union Set FFI	15X3/4"	94
CPF-UFFI-22X15	22mm X 1/2" Union Set FFI	22X1/2"	88
CPF-UFFI-22X22	22mm X 3/4" Union Set FFI	22X3/4"	87
CPF-UFFI-22X28	22mm X 1" Union Set FFI	22X1"	92
CPF-UFFI-28X28	28mm X 1" Union Set FFI	28X1"	87
CPF-UFFI-35X35	35mm X 1-1/4" Union Set FFI	35X1-1/4"	107
CPF-UFFI-42X42	42mm X 1-1/2" Union Set FFI	42X1/2"	115
CPF-UFFI-54X54	54mm X 2" Union Set FFI	54X2"	128

	MODEL NO.	SERIES	
	CPF-UFFI		FITTINGS
	DESCRIPTION		
	UNION SET FFI		
DIMENSION			
SCALE	DATE	DRAWING NO.	
	01-02-2021	CPF-UFFI-01	