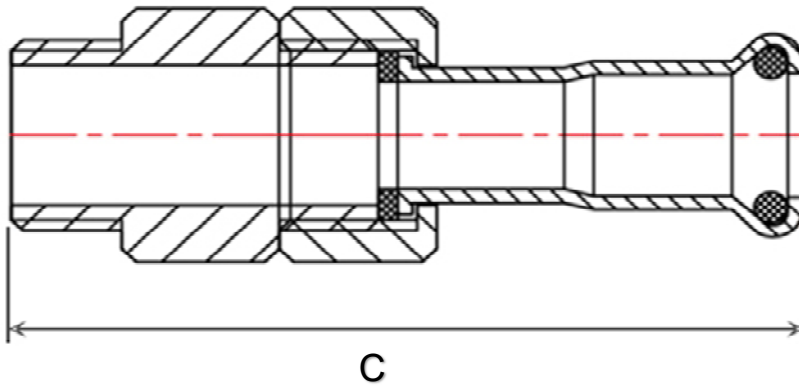


SANITARY WARE SPECIFICATIONS & TECHNICAL DRAWINGS



CODE	Description	OD	C
CPF-UFMI-15X15	15mm X 1/2" Union Set FMI	15X1/2"	81
CPF-UFMI-15X22	15mm X 3/4" Union Set FMI	15X3/4"	94
CPF-UFMI-22X15	22mm X 1/2" Union Set FMI	22X1/2"	87
CPF-UFMI-22X22	22mm X 3/4" Union Set FMI	22X3/4"	87
CPF-UFMI-22X28	22mm X 1" Union Set FMI	22X1"	95
CPF-UFMI-28X28	28mm X 1" Union Set FMI	28X1"	95
CPF-UFMI-35X35	35mm X 1-1/4" Union Set FMI	35X1-1/4"	108
CPF-UFMI-42X42	42mm X 1-1/2" Union Set FMI	42X1/2"	119
CPF-UFMI-54X54	54mm X 2" Union Set FMI	54X2"	130



MODEL NO.		SERIES
CPF-UFM		FITTINGS
DESCRIPTION		
UNION SET FMI		
DIMENSION		
SCALE	DATE	DRAWING NO.
	01-02-2021	CPF-UFM-01