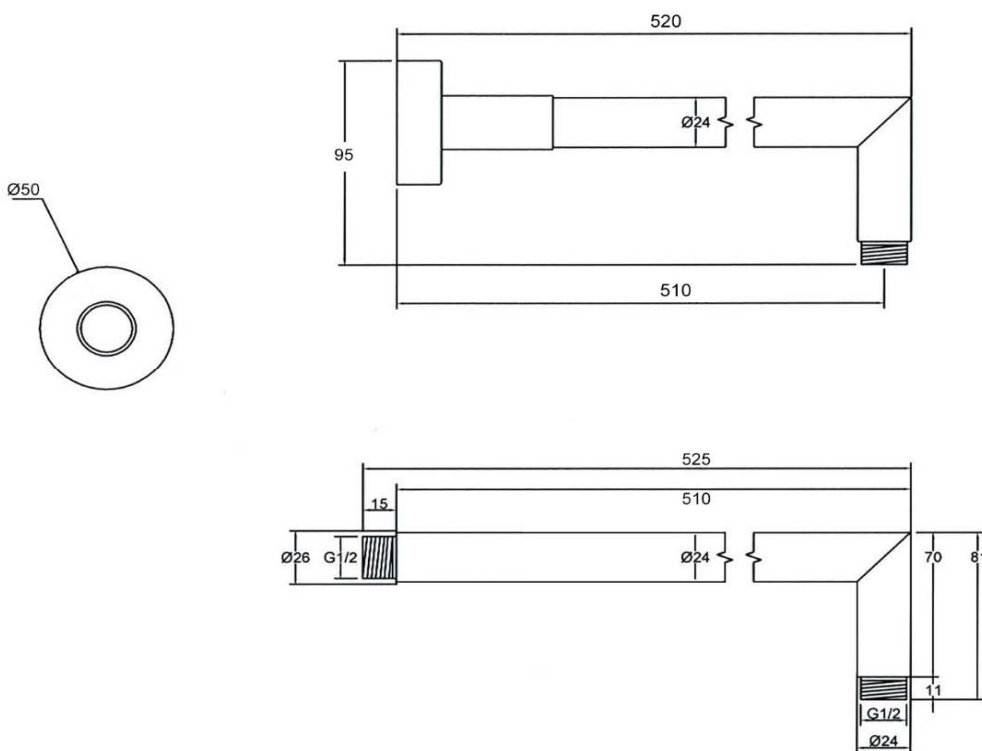



SANITARY WARE SPECIFICATIONS & TECHNICAL DRAWINGS



	MODEL NO. CRS-CSA03-C		SERIES SHOWER ARM	
	DESCRIPTION CRIZTO CONCEAL ROUND SHOWER ARM			
	DIMENSION			
	SCALE	DATE 01-10-2021	DRAWING NO. CRS-CSA03-C-01	