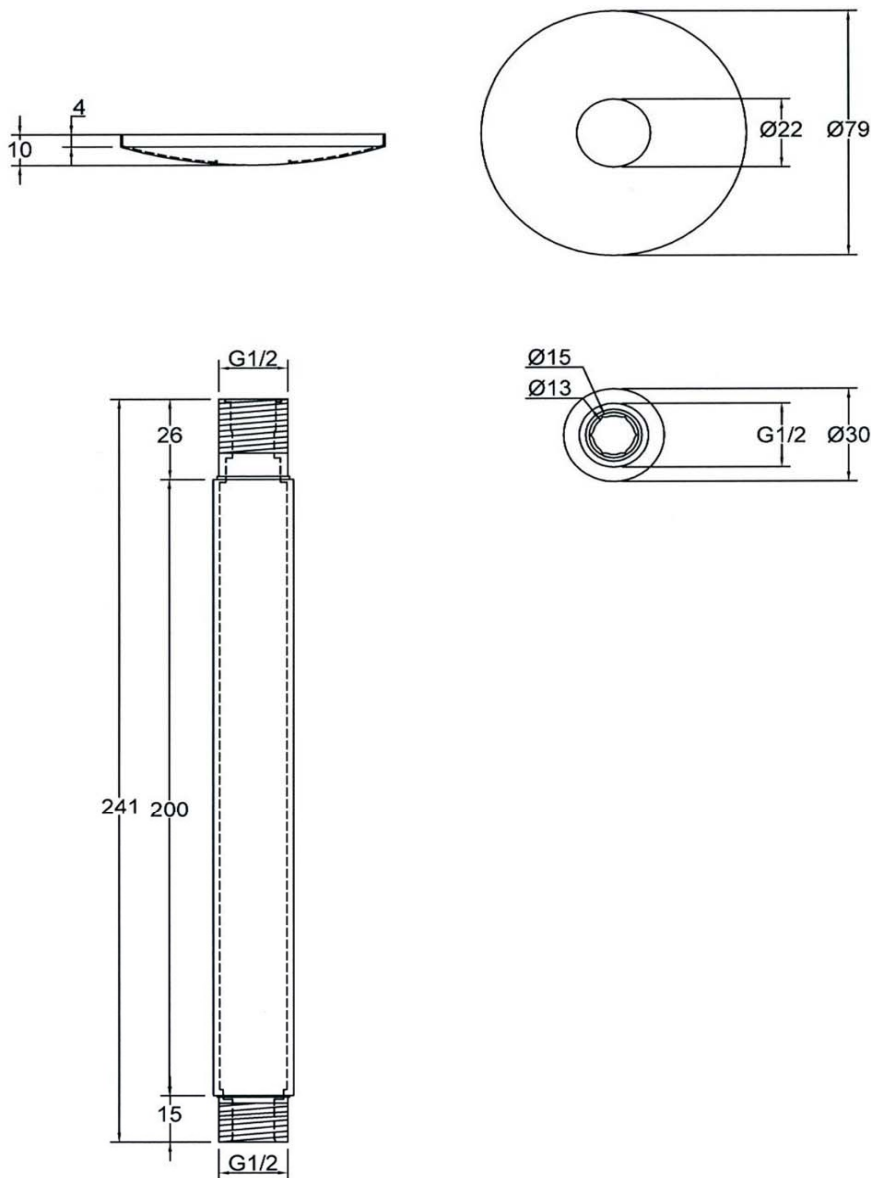


**CRIZTO SINGAPORE PTE LTD**

10 Tampines North Drive 4 #04-08/09/10/11  
 JTC Space @ Tampines North Singapore 528553  
 T: +65 6287 5287 | F: +65 6287 9287 | E: sales@crizto.com  
 W: www.crizto.com | www.facebook.com/CriztoSingapore



**SANITARY WARE SPECIFICATIONS & TECHNICAL DRAWINGS**



MODEL NO.	CRS-CSA320-C		SERIES	SHOWER ARM	
DESCRIPTION	CRIZTO CONCEAL OVERHEAD SHOWER ARM				
DIMENSION	L20CM X D30MM				
SCALE	DATE	DRAWING NO.			
	01-12-2016	CRS-CSA320-C-01			