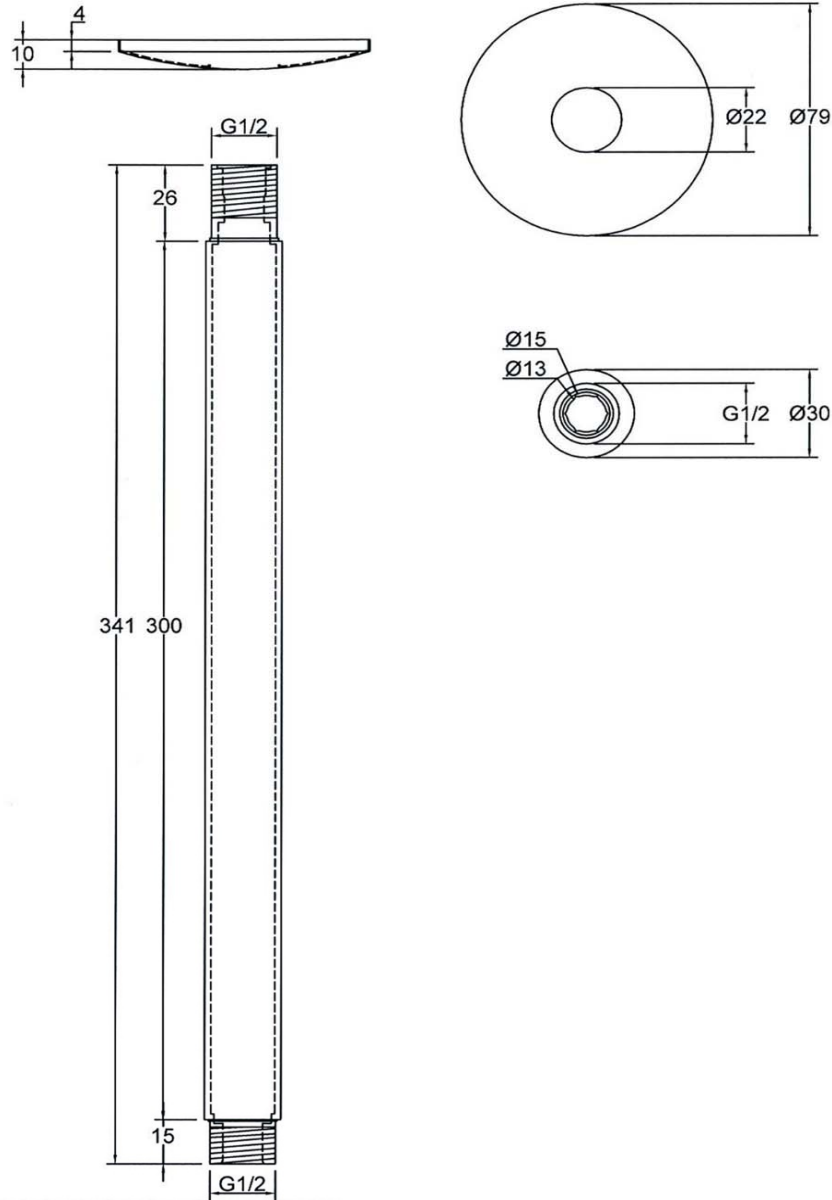


**CRIZTO SINGAPORE PTE LTD**

10 Tampines North Drive 4 #04-08/09/10/11  
 JTC Space @ Tampines North Singapore 528553  
 T: +65 6287 5287 | F: +65 6287 9287 | E: sales@crizto.com  
 W: www.crizto.com | www.facebook.com/CriztoSingapore

**CRIZTO**<sup>®</sup>

*a beautiful bathroom speaks well of its owner,  
 make yours speak for you!*

**SANITARY WARE SPECIFICATIONS & TECHNICAL DRAWINGS**

MODEL NO.

**CRS-CSA330-C**

SERIES

**SHOWER ARM**

DESCRIPTION

CRIZTO CONCEAL OVERHEAD SHOWER ARM

DIMENSION

L30CM X D30MM

SCALE

DATE

01-12-2016

DRAWING NO.

CRS-CSA330-C-01