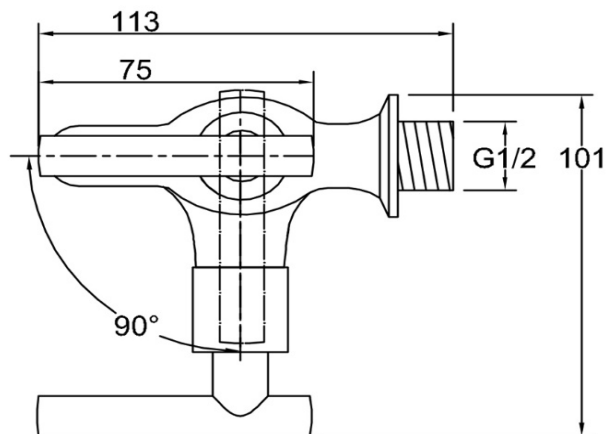
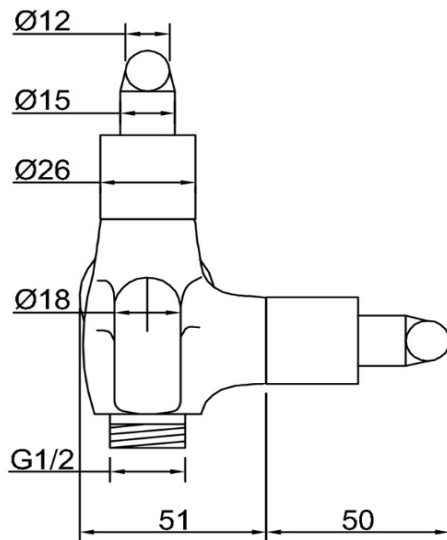
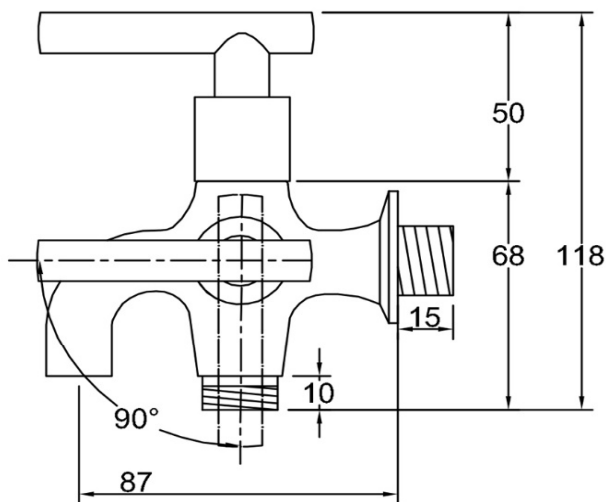


**CRIZTO SINGAPORE PTE LTD**

10 Tampines North Drive 4 #04-08/09/10/11  
 JTC Space @ Tampines North Singapore 528553  
 T: +65 6287 5287 | F: +65 6287 9287 | E: sales@crizto.com  
 W: www.crizto.com | www.facebook.com/CriztoSingapore



**SANITARY WARE SPECIFICATIONS & TECHNICAL DRAWINGS**



MODEL NO.	CTC-11508-C		SERIES	SAPPHIRE-C	
DESCRIPTION	CRIZTO SAPPHIRE-C TWO WAY TAP				
DIMENSION					
SCALE	1:2	DATE	01-12-2016	DRAWING NO.	CTC-11508-C-01