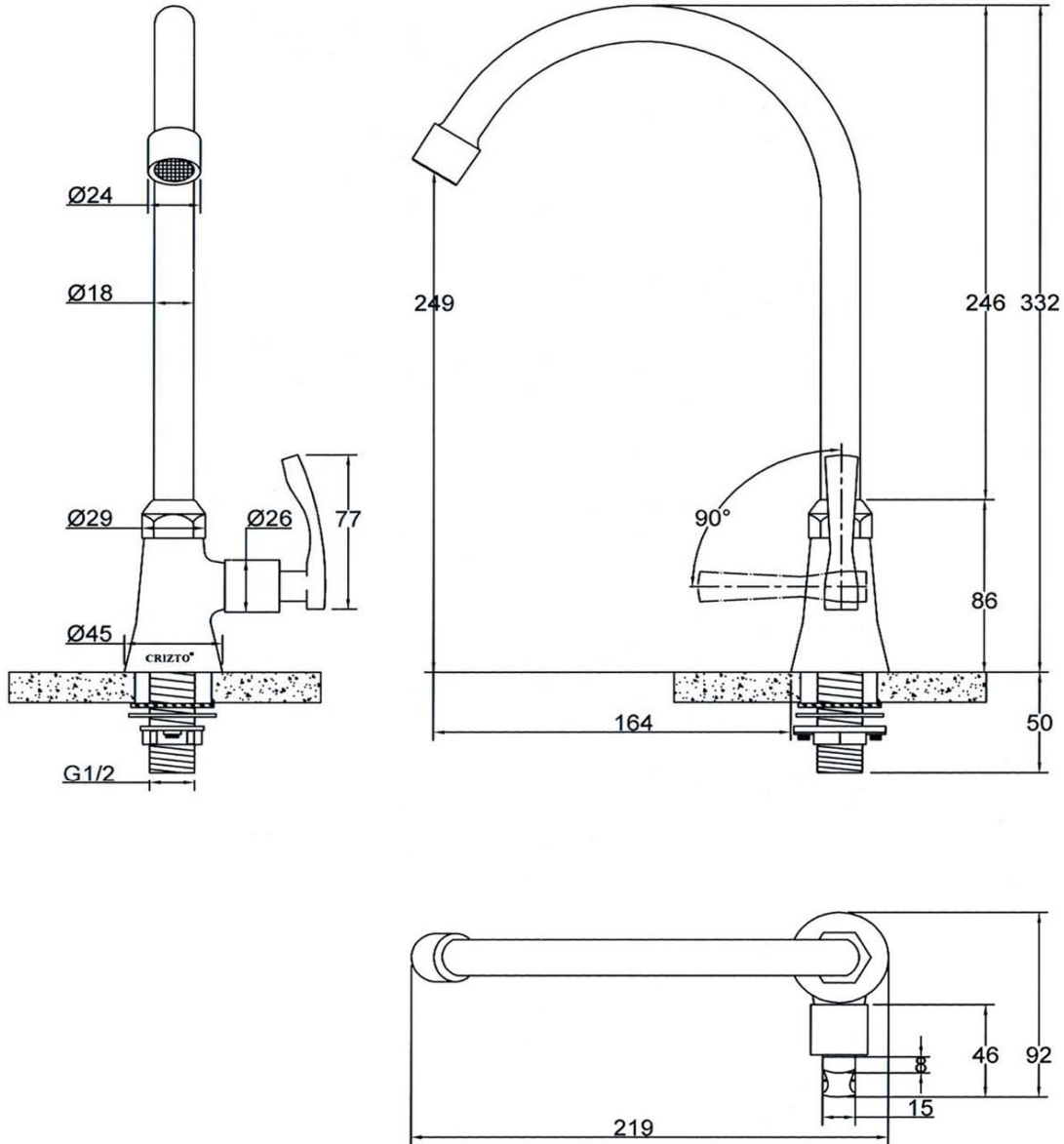



**SANITARY WARE SPECIFICATIONS & TECHNICAL DRAWINGS**



|                                                                                     |                                                  |            |                   |  |
|-------------------------------------------------------------------------------------|--------------------------------------------------|------------|-------------------|--|
|  | MODEL NO.                                        |            | SERIES            |  |
|                                                                                     | <b>CTC-11604-C</b>                               |            | <b>SODALITE-C</b> |  |
|                                                                                     | DESCRIPTION                                      |            |                   |  |
|                                                                                     | CRIZTO SODALITE-C SINK TAP WITH 'U' SWIVEL SPOUT |            |                   |  |
| DIMENSION                                                                           |                                                  |            |                   |  |
| SCALE                                                                               |                                                  | DATE       | DRAWING NO.       |  |
| 1:3                                                                                 |                                                  | 01-12-2016 | CTC-11604-C-01    |  |