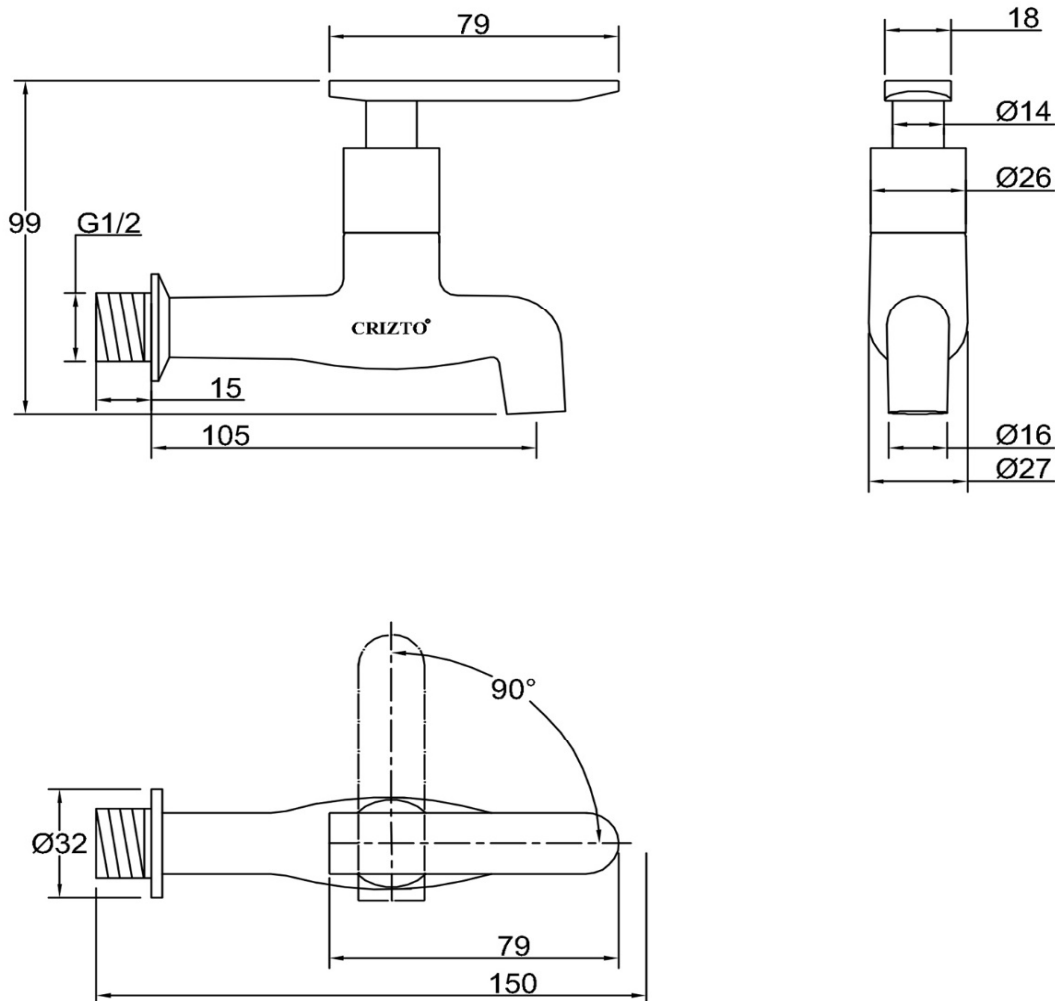


**CRIZTO SINGAPORE PTE LTD**

10 Tampines North Drive 4 #04-08/09/10/11  
 JTC Space @ Tampines North Singapore 528553  
 T: +65 6287 5287 | F: +65 6287 9287 | E: sales@crizto.com  
 W: www.crizto.com | www.facebook.com/CriztoSingapore



**SANITARY WARE SPECIFICATIONS & TECHNICAL DRAWINGS**



|           |                         |                |  |
|-----------|-------------------------|----------------|--|
|           | MODEL NO.               | SERIES         |  |
|           | CTC-11706-C             | SPHENE-C       |  |
|           | DESCRIPTION             |                |  |
|           | CRIZTO SPHENE-C BIB TAP |                |  |
| DIMENSION |                         |                |  |
| SCALE     | DATE                    | DRAWING NO.    |  |
| 1:2       | 03-08-2016              | CTC-11706-C-01 |  |