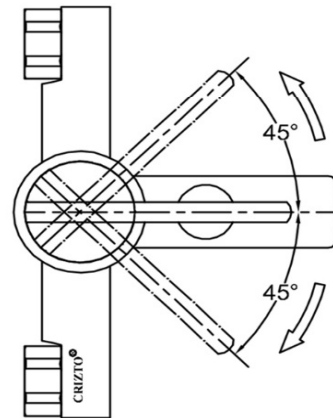
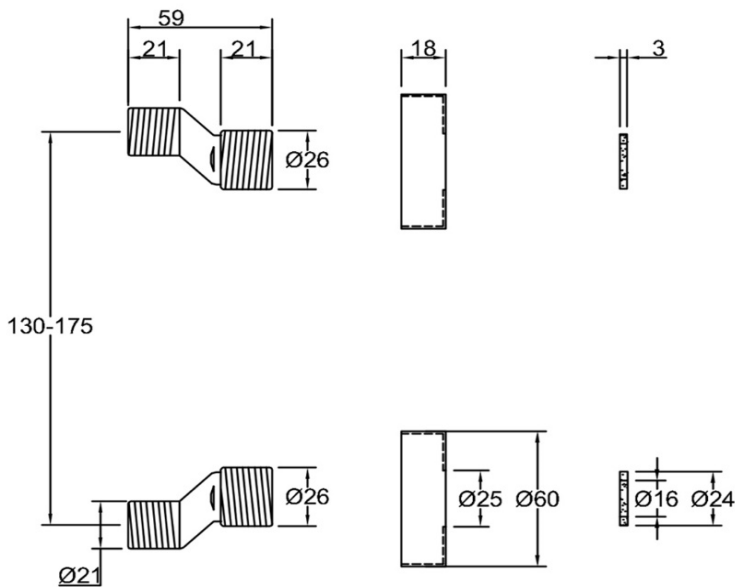
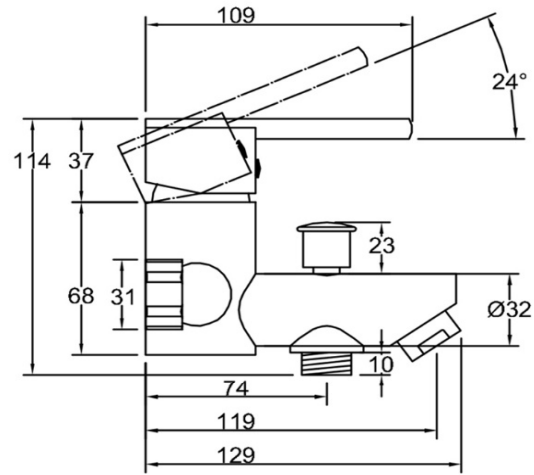
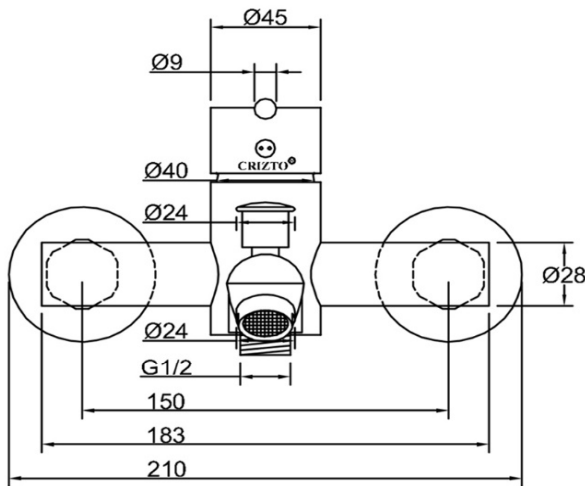


**SANITARY WARE SPECIFICATIONS & TECHNICAL DRAWINGS**



MODEL NO.	<b>CTM-63308-C</b>		SERIES	<b>PYRITE-M</b>	
DESCRIPTION	CRIZTO PYRITE-M BATH & SHOWER MIXER				
DIMENSION					
SCALE	1:3	DATE	01-12-2016	DRAWING NO.	CTM-63308-C-01