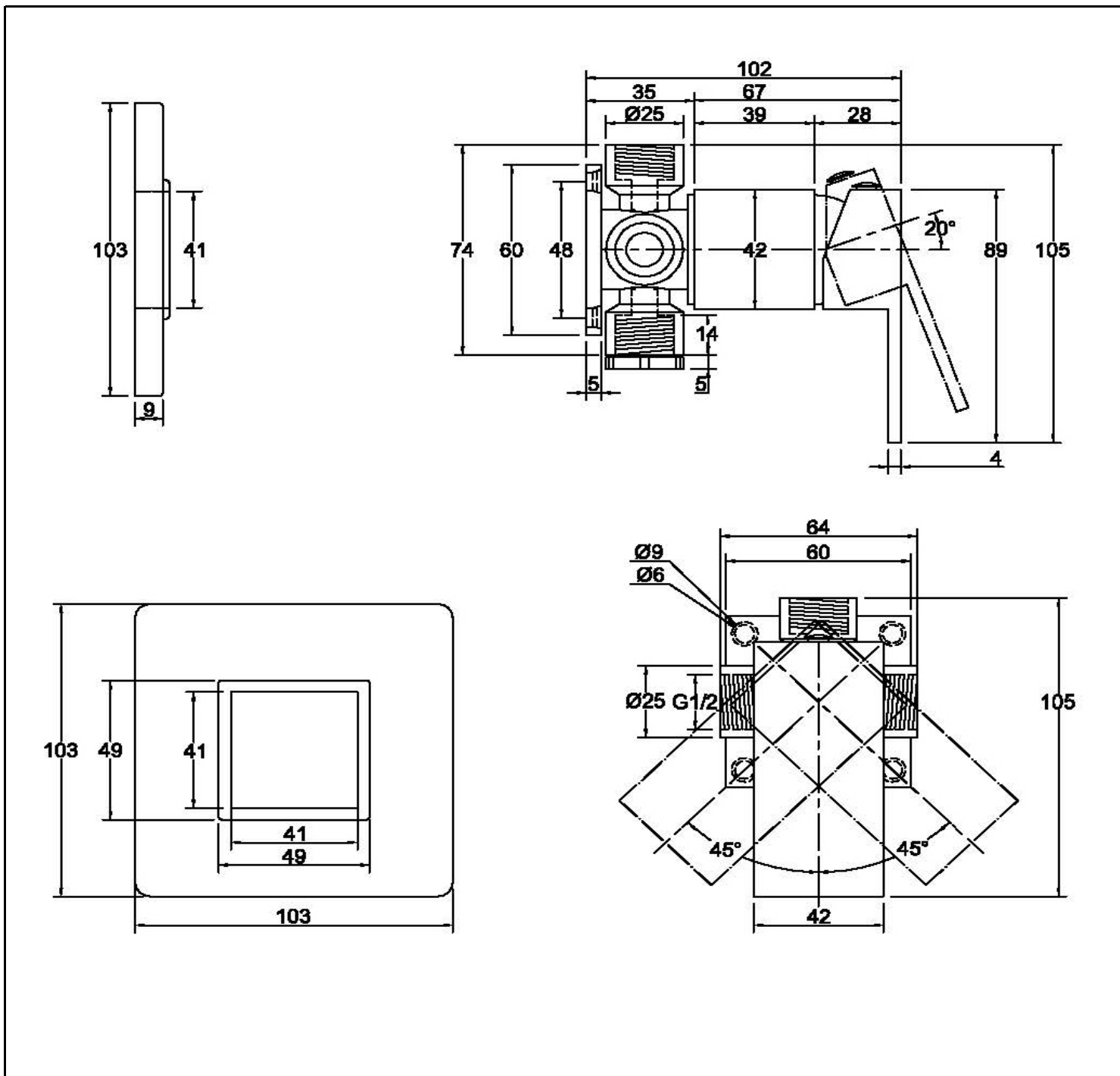



CRIZTO SINGAPORE PTE LTD

10 Tampines North Drive 4 #04-08/09/10/11
 JTC Space @ Tampines North Singapore 528553
 T: +65 6287 5287 | F: +65 6287 9287 | E: sales@crizto.com
 W: www.crizto.com | www.facebook.com/CriztoSingapore



SANITARY WARE SPECIFICATIONS & TECHNICAL DRAWINGS



	MODEL NO.		SERIES		
	CTM-93119-C		TOPAZ-M35		
	DESCRIPTION				
	CRIZTO TOPAZ-M35 CONCEAL SHOWER MIXER				
	DIMENSION				
L103MM X W103MM X H9MM					
SCALE		DATE		DRAWING NO.	
1:2		01-12-2016		CTM-93119-C-01	