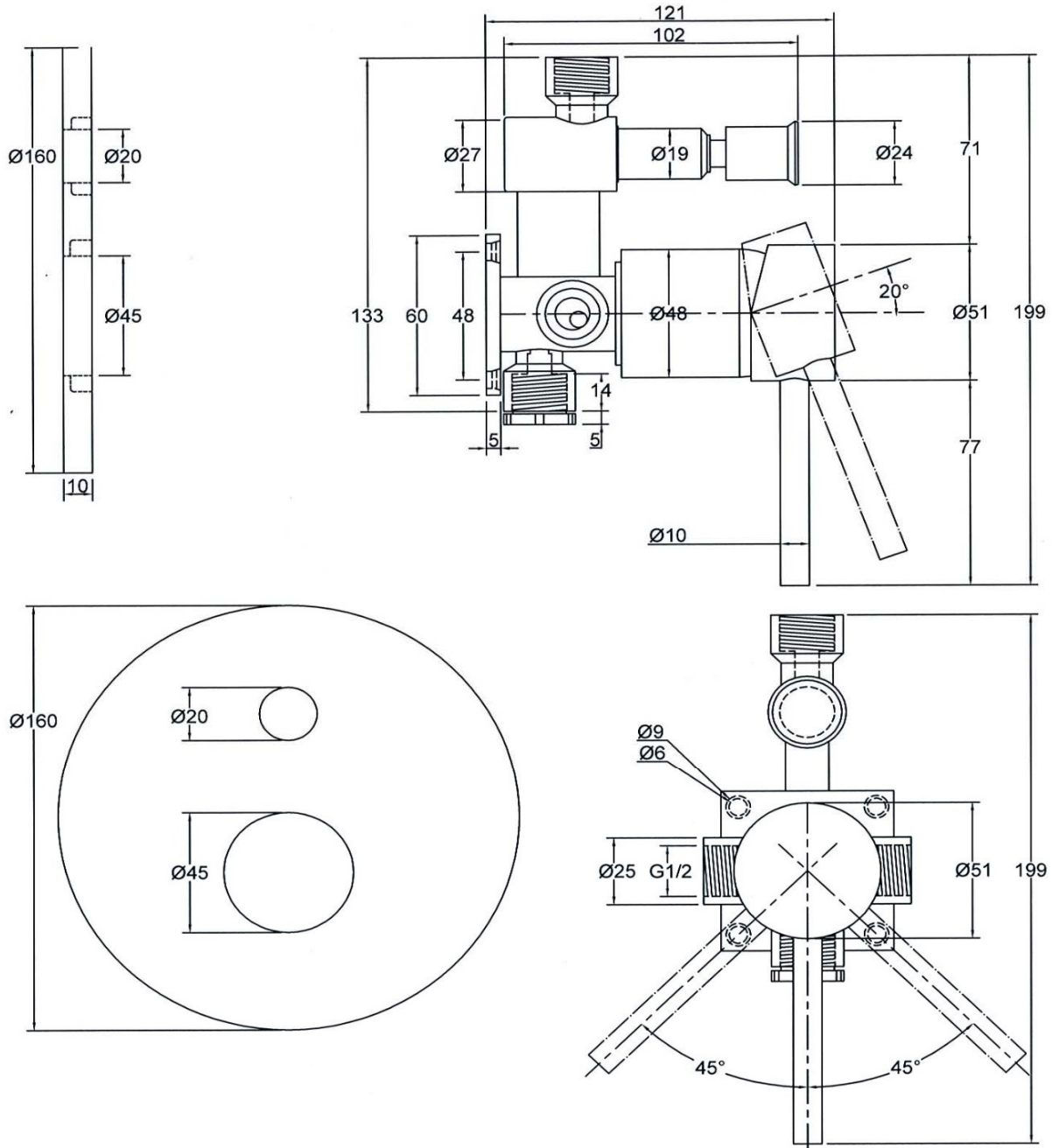


SANITARY WARE SPECIFICATIONS & TECHNICAL DRAWINGS



MODEL NO. CTM-94318-C		SERIES SCEPTER-M40
DESCRIPTION CRIZTO SCEPTER-M40 CONCEAL BATH & SHOWER MIXER		
DIMENSION L160MM X W160MM X H9MM		
SCALE 1:2	DATE 01-12-2016	DRAWING NO. CTM-94318-C-01