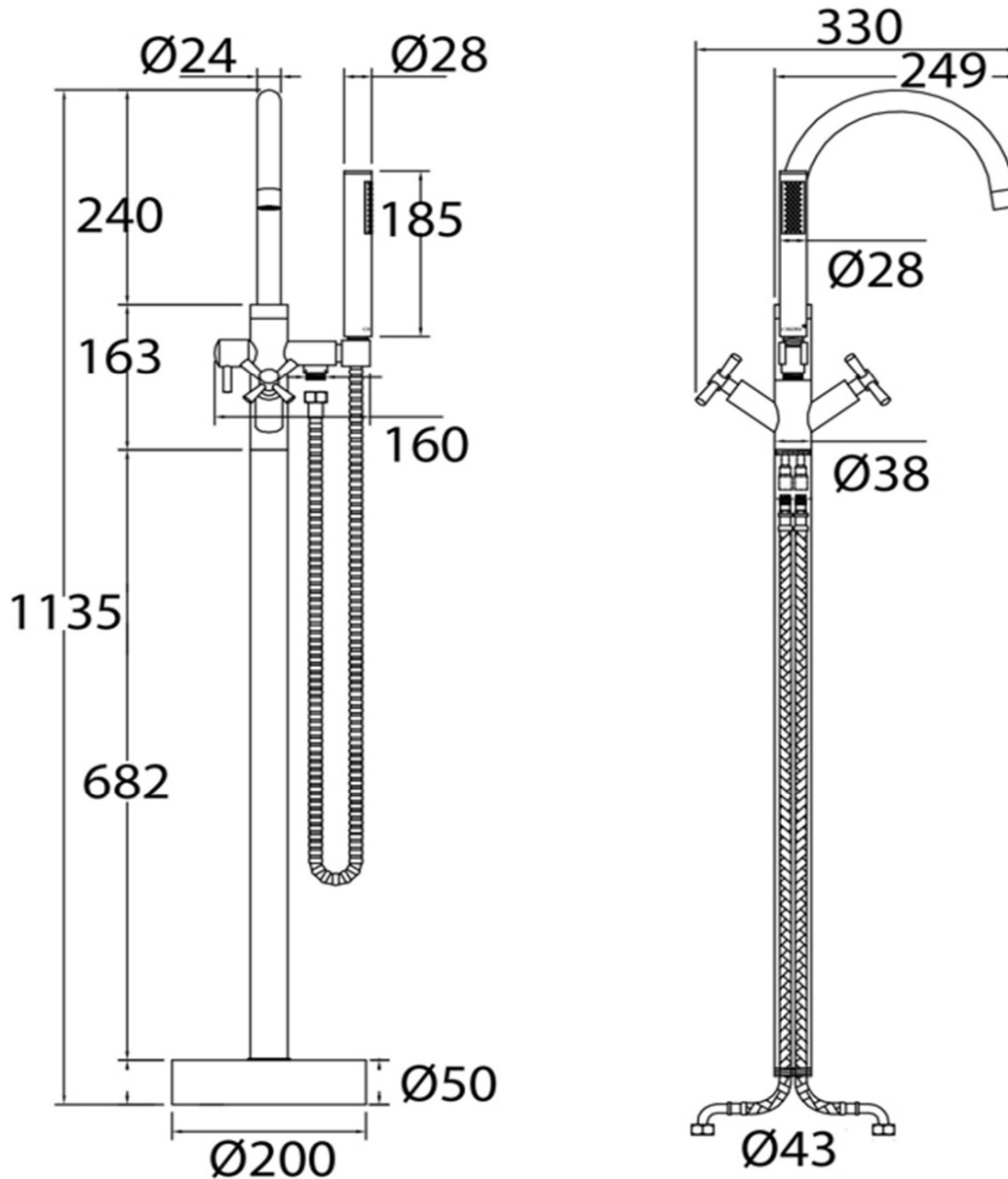


SANITARY WARE SPECIFICATIONS & TECHNICAL DRAWINGS



MODEL NO.	CTM-BF002-C		SERIES	BRIDGE-M	
DESCRIPTION	CRIZTO PUMICE-M FREE STANDING BATH & SHOWER FILLER				
DIMENSION					
SCALE	DATE	DRAWING NO.			
	01-12-2016	CTM-BF002-C-01			