

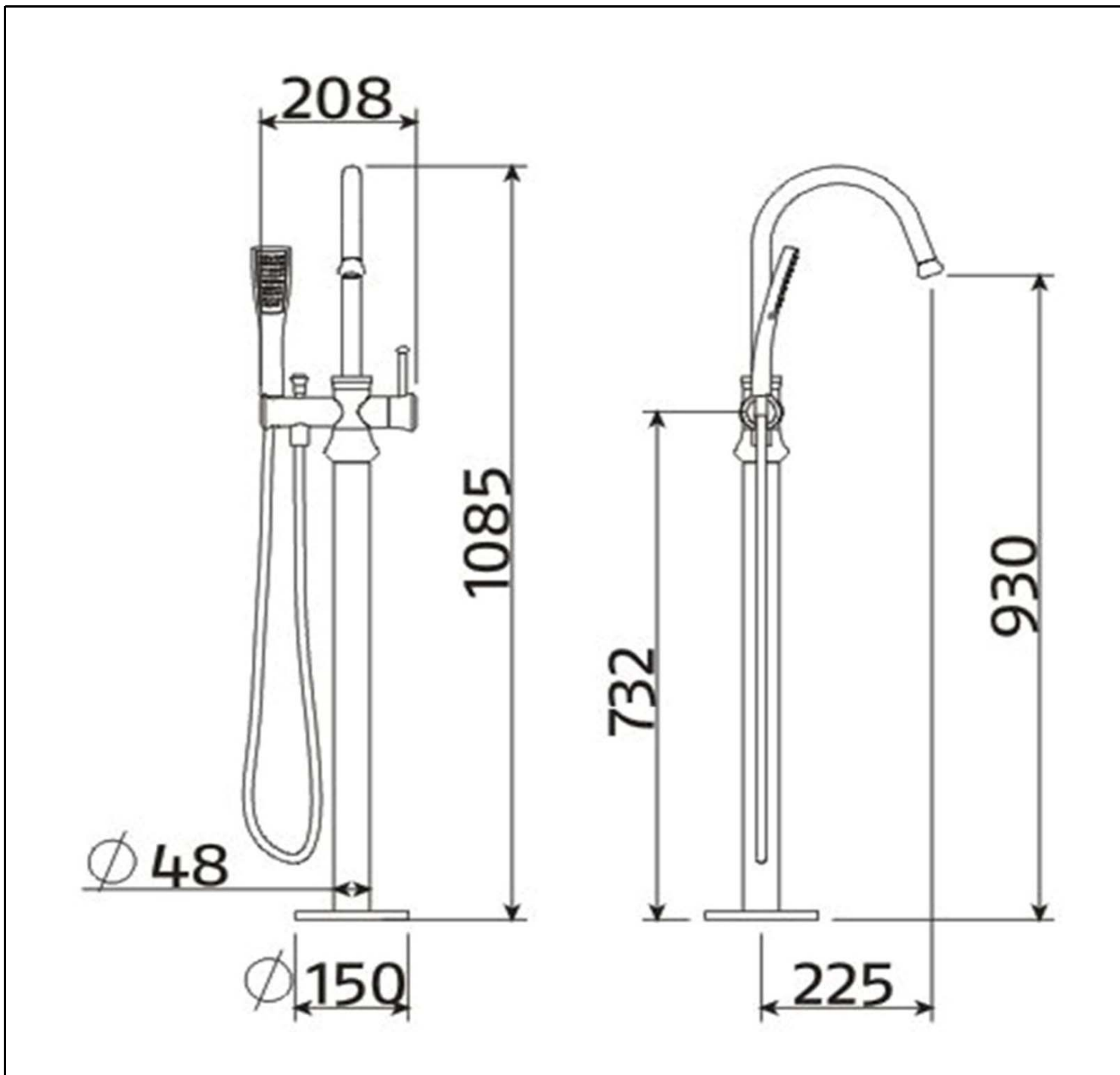
CRIZTO SINGAPORE PTE LTD


10 Tampines North Drive 4 #04-08/09/10/11
 JTC Space @ Tampines North Singapore 528553
 T: +65 6287 5287 | F: +65 6287 9287 | E: sales@crizto.com
 W: www.crizto.com | www.facebook.com/CriztoSingapore

CRIZTO®

*a beautiful bathroom speaks well of its owner,
 make yours speak for you!™*

SANITARY WARE SPECIFICATIONS & TECHNICAL DRAWINGS



	MODEL NO.	CTM-BF004-C	SERIES	BRIDGE-M
	DESCRIPTION			
	CRIZTO BRONZITE-M FREE STANDING BATH & SHOWER FILLER			
	DIMENSION			
SCALE		DATE	DRAWING NO.	
		01-12-2016	CTM-BF004-C-01	