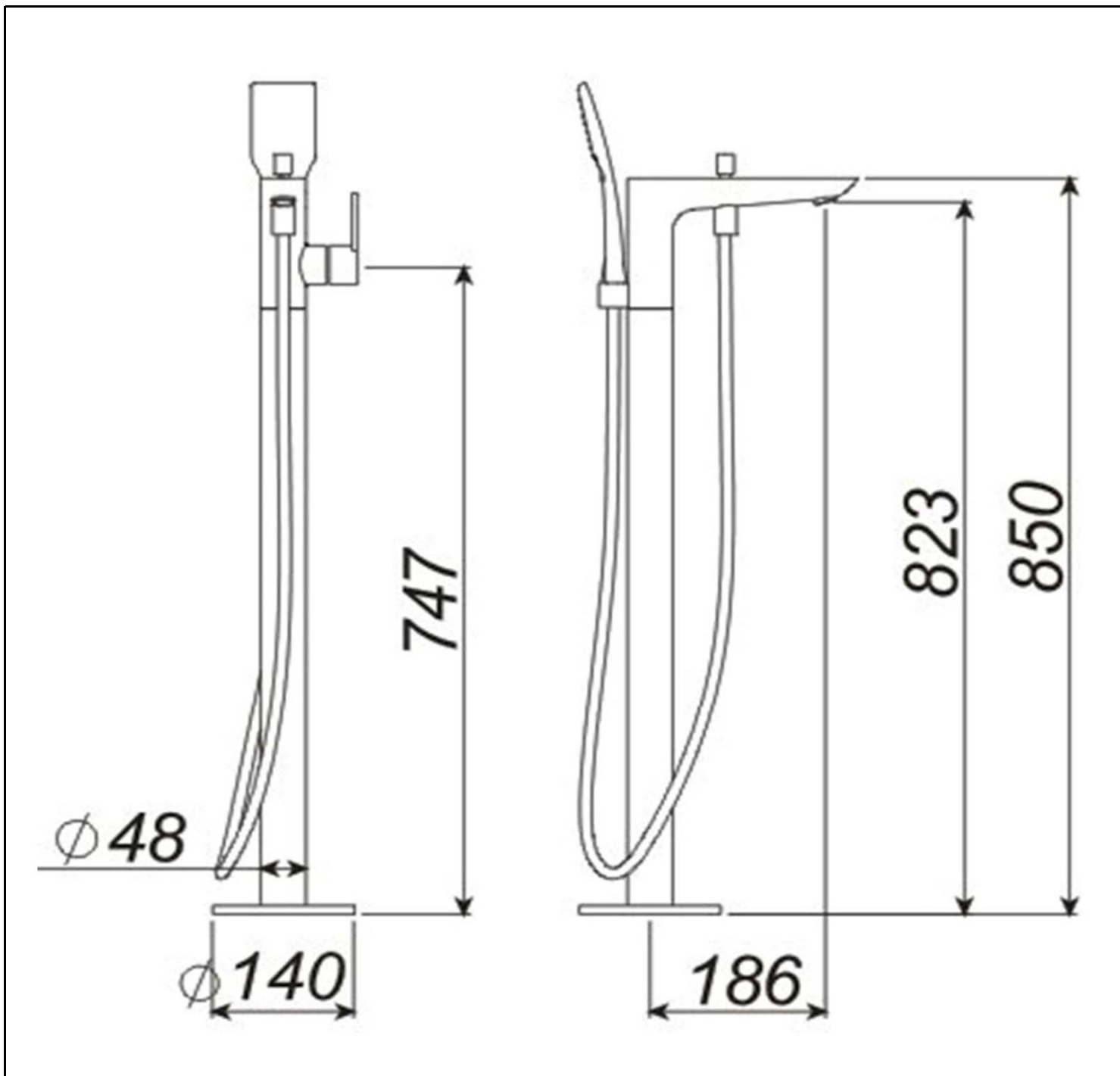



CRIZTO SINGAPORE PTE LTD

10 Tampines North Drive 4 #04-08/09/10/11
 JTC Space @ Tampines North Singapore 528553
 T: +65 6287 5287 | F: +65 6287 9287 | E: sales@crizto.com
 W: www.crizto.com | www.facebook.com/CriztoSingapore



SANITARY WARE SPECIFICATIONS & TECHNICAL DRAWINGS



	MODEL NO. CTM-BF006-C		SERIES BRIDGE-M
	DESCRIPTION CRIZTO PUMICE-M FREE STANDING BATH & SHOWER FILLER		
	DIMENSION		
	SCALE	DATE 01-12-2016	DRAWING NO. CTM-BF006-C-01