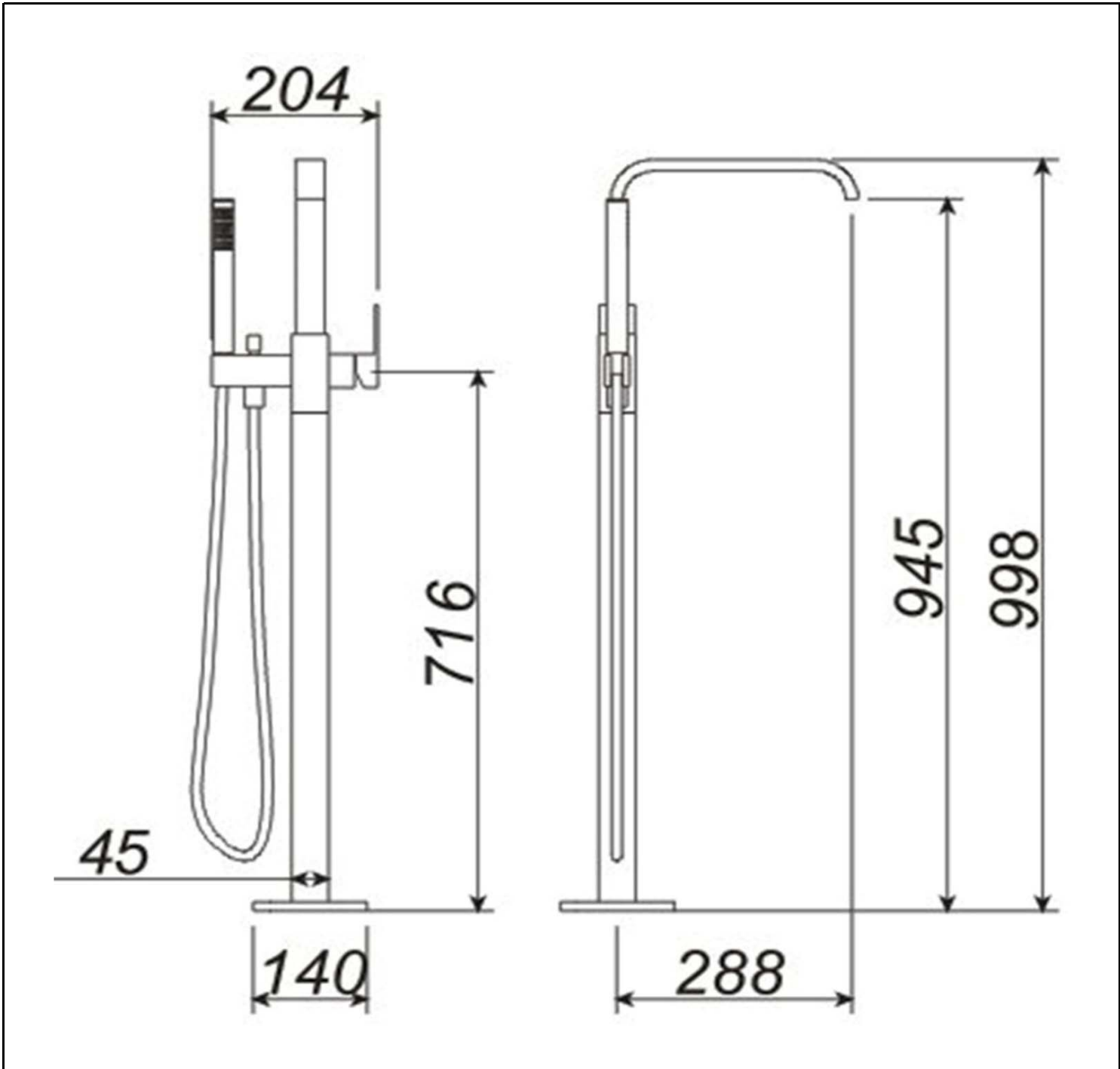


CRIZTO SINGAPORE PTE LTD

10 Tampines North Drive 4 #04-08/09/10/11
 JTC Space @ Tampines North Singapore 528553
 T: +65 6287 5287 | F: +65 6287 9287 | E: sales@crizto.com
 W: www.crizto.com | www.facebook.com/CriztoSingapore



SANITARY WARE SPECIFICATIONS & TECHNICAL DRAWINGS



| | | | | |
|--|--|--------------------|-------------------------------|--|
| | MODEL NO. CTM-BF008-C | | SERIES BRIDGE-M | |
| | DESCRIPTION CRIZTO EPIDOTE-M FREE STANDING BATH & SHOWER FILLER | | | |
| | DIMENSION | | | |
| | SCALE | DATE 01-12-2016 | DRAWING NO. CTM-BF008-C-01 | |