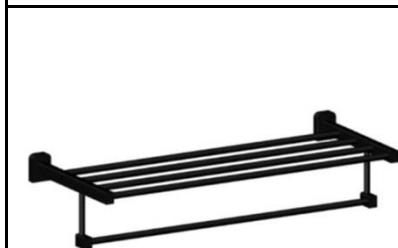
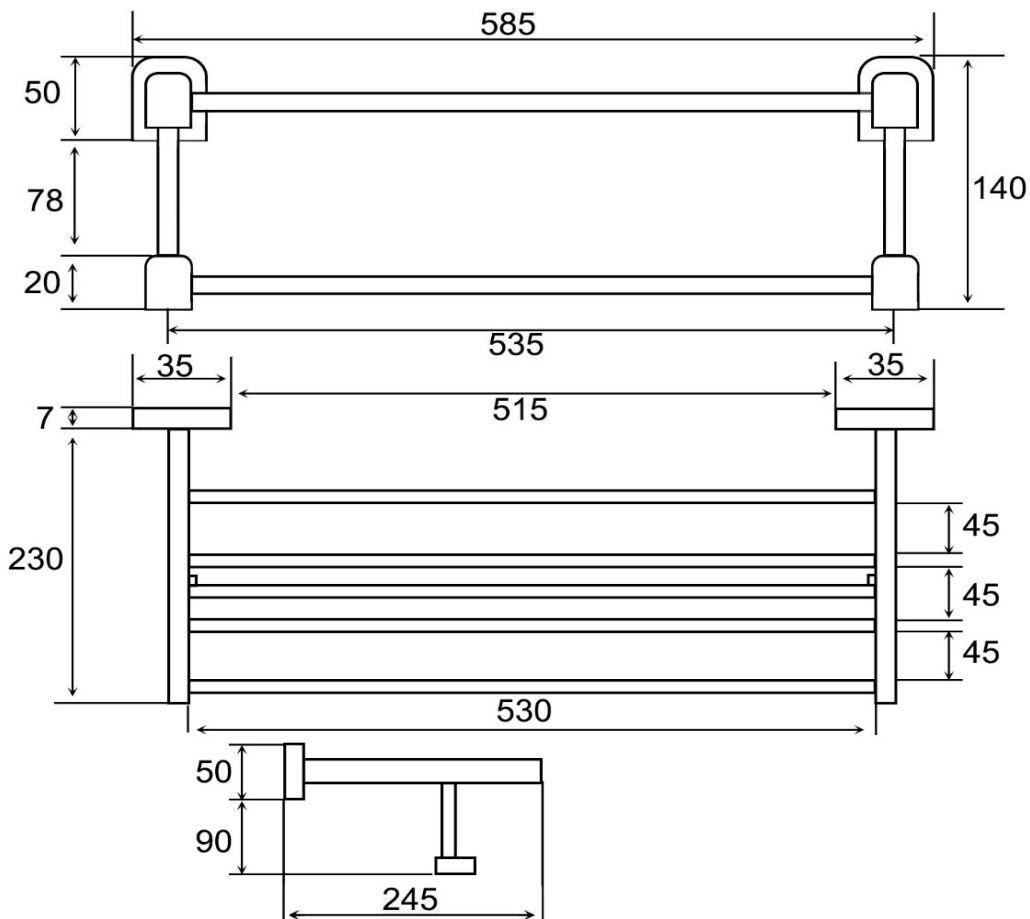


SANITARY WARE SPECIFICATIONS & TECHNICAL DRAWINGS



MODEL NO.	CTR-2513-AMB		SERIES	TOWER RACK	
DESCRIPTION	ALUMINIUM TOWEL RACK				
DIMENSION					
SCALE	DATE	DRAWING NO.			
	06-10-2021	CTR-2513-AMB-01			