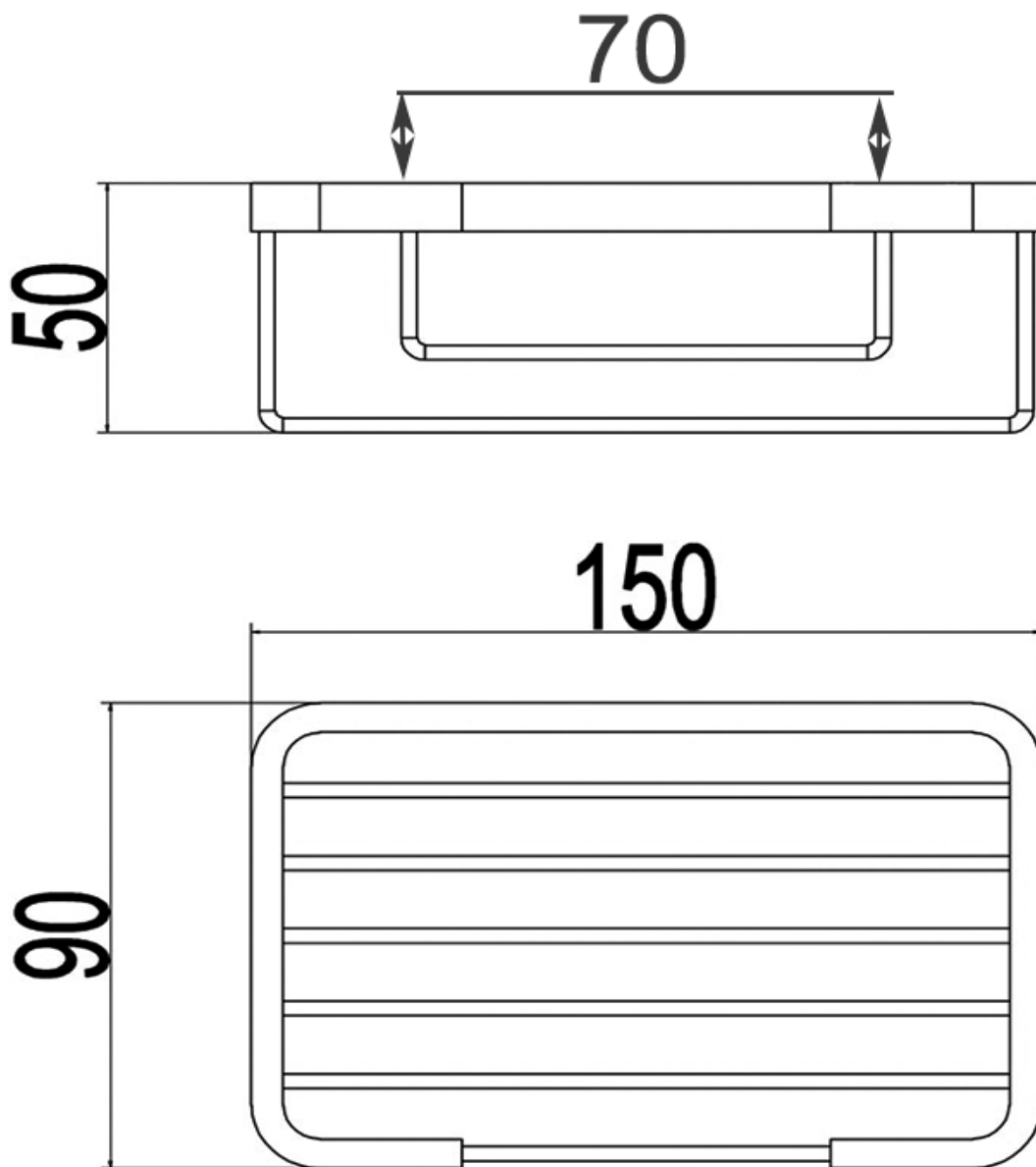


**CRIZTO SINGAPORE PTE LTD**

10 Tampines North Drive 4 #04-08/09/10/11  
 JTC Space @ Tampines North Singapore 528553  
 T: +65 6287 5287 | F: +65 6287 9287 | E: sales@crizto.com  
 W: www.crizto.com | www.facebook.com/CriztoSingapore

**CRIZTO**<sup>®</sup>  
*a beautiful bathroom speaks well of its owner,  
 make yours speak for you!*

**SANITARY WARE SPECIFICATIONS & TECHNICAL DRAWINGS**

MODEL NO. <b>CW-901-SSHL</b>	SERIES <b>WIRE BASKET</b>	
DESCRIPTION CRIZTO STAINLESS STEEL WIRE BASKET		
DIMENSION L150MM X W90MM X H50MM		
SCALE 0.25KG	DATE 01-12-2016	DRAWING NO. CW-901-SSHL-01