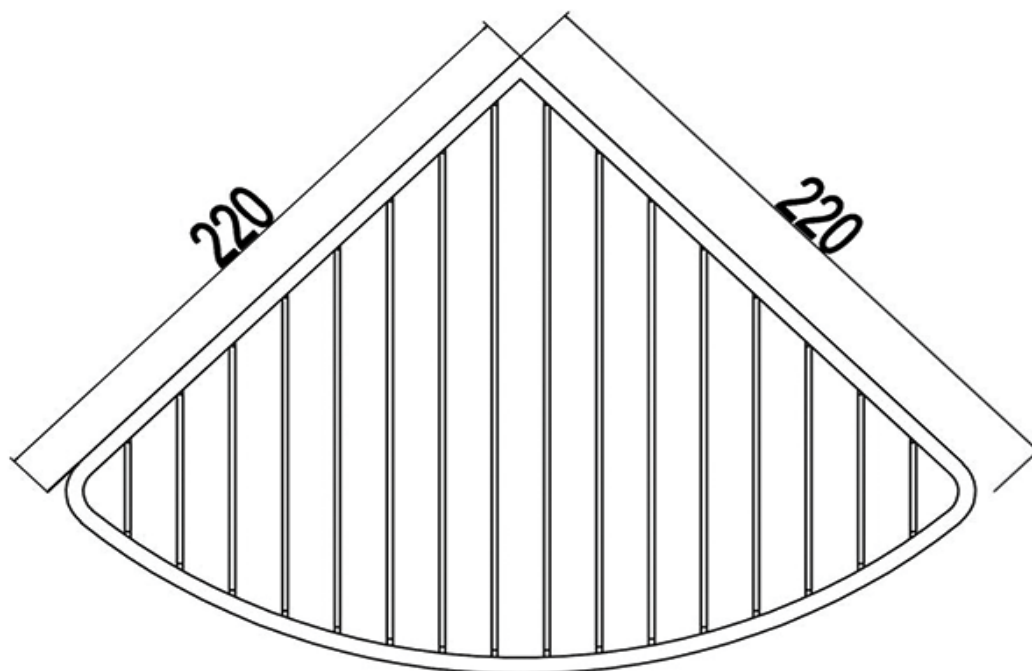
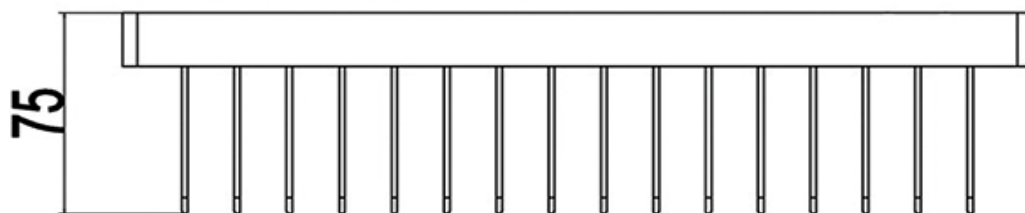


SANITARY WARE SPECIFICATIONS & TECHNICAL DRAWINGS



MODEL NO.	CW-909-SSHL		SERIES	WIRE BASKET	
DESCRIPTION	CRIZTO STAINLESS STEEL CORNER WIRE BASKET				
DIMENSION	L210MM X W210MM X H75MM				
SCALE	0.85KG	DATE	01-12-2016	DRAWING NO.	CW-909-SSHL-01