

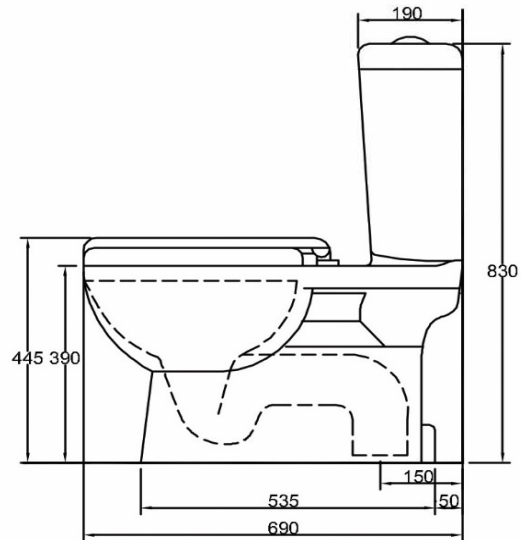
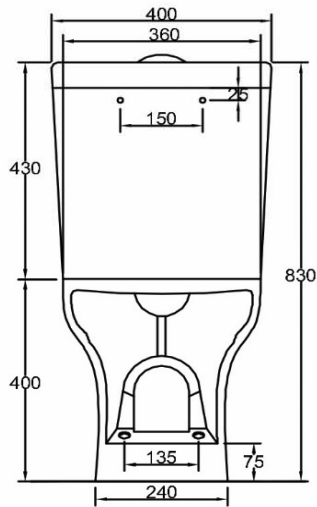
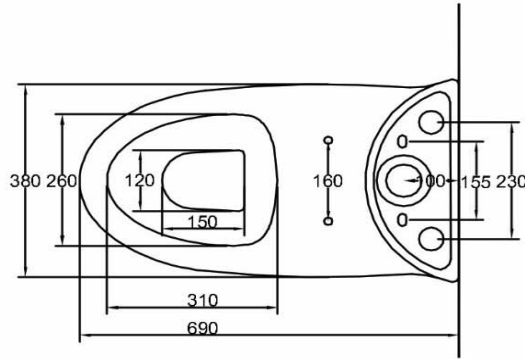
CRIZTO SINGAPORE PTE LTD

10 Tampines North Drive 4 #04-08/09/10/11

JTC Space @ Tampines North Singapore 528553

T: +65 6287 5287 | F: +65 6287 9287 | E: sales@crizto.com

W: www.crizto.com | www.facebook.com/CriztoSingapore

CRIZTO[®]*a beautiful bathroom speaks well of its owner,
make yours speak for you!***SANITARY WARE SPECIFICATIONS & TECHNICAL DRAWINGS**

MODEL NO.

CWC-2815-WT6

SERIES

CLASSIC

DESCRIPTION

CRIZTO CLASSIC TWO PIECE WC SUITE

DIMENSION

L690MM X W380MM X H830MM

SCALE

DATE

01-12-2016

DRAWING NO.

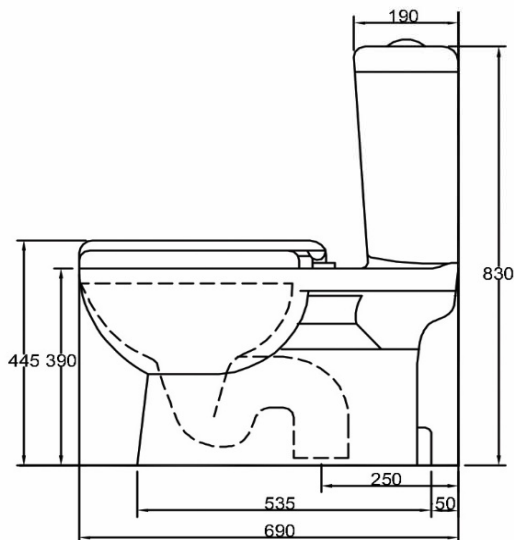
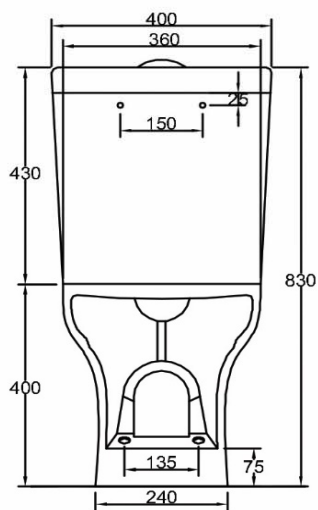
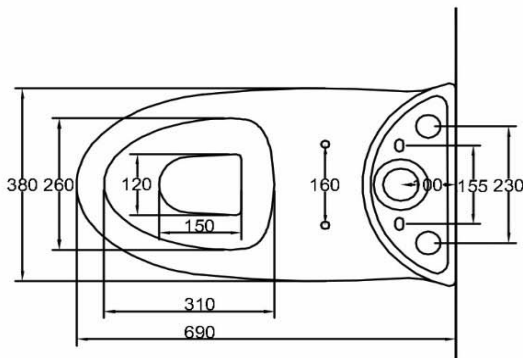
CWC-2815-WT6-01

CRIZTO SINGAPORE PTE LTD

10 Tampines North Drive 4 #04-08/09/10/11
 JTC Space @ Tampines North Singapore 528553
 T: +65 6287 5287 | F: +65 6287 9287 | E: sales@crizto.com
 W: www.crizto.com | www.facebook.com/CriztoSingapore



SANITARY WARE SPECIFICATIONS & TECHNICAL DRAWINGS



MODEL NO. CWC-2815-WT10		SERIES CLASSIC
DESCRIPTION CRIZTO CLASSIC TWO PIECE WC SUITE		
DIMENSION L690MM X W380MM X H830MM		
SCALE	DATE 01-12-2016	DRAWING NO. CWC-2815-WT10-01