

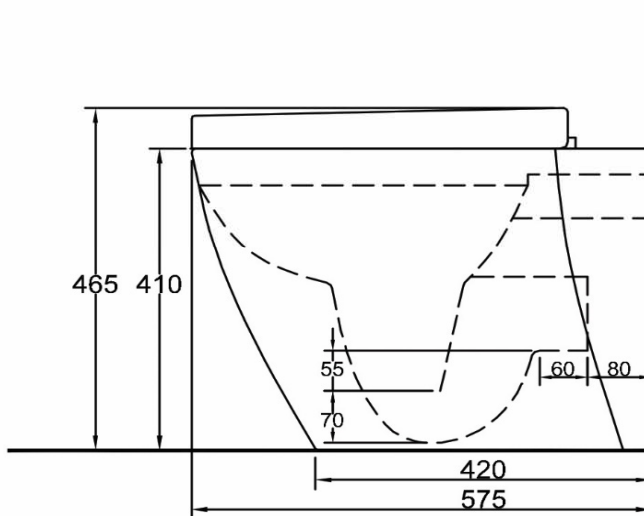
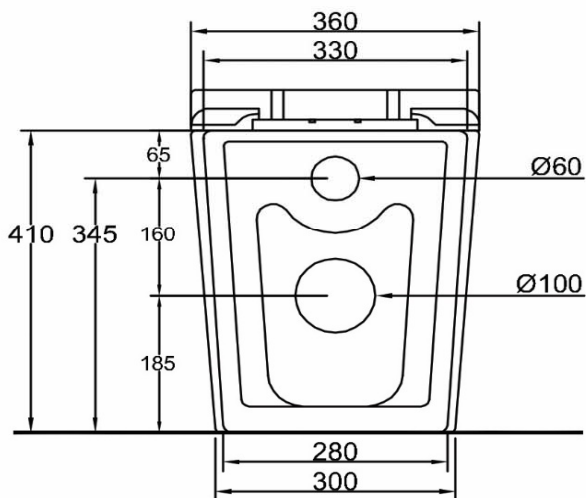
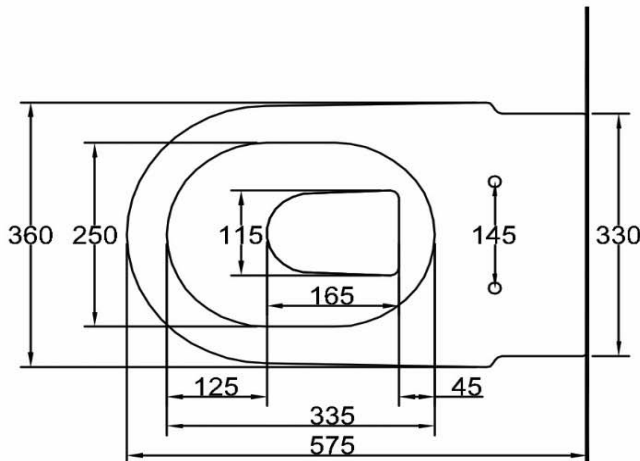
CRIZTO SINGAPORE PTE LTD

10 Tampines North Drive 4 #04-08/09/10/11
 JTC Space @ Tampines North Singapore 528553
 T: +65 6287 5287 | F: +65 6287 9287 | E: sales@crizto.com
 W: www.crizto.com | www.facebook.com/CriztoSingapore

CRIZTO®

*a beautiful bathroom speaks well of its owner,
 make yours speak for you!*

SANITARY WARE SPECIFICATIONS & TECHNICAL DRAWINGS



MODEL NO. CWC-FP103-WTP		SERIES AGATE
DESCRIPTION CRIZTO AGATE FLOOR MOUNTED WC FOR CONCEALED TANK		
DIMENSION L575MM X W360MM X H410MM		
SCALE 1:10	DATE 01-12-2016	DRAWING NO. CWC-FP103-WTP-01