

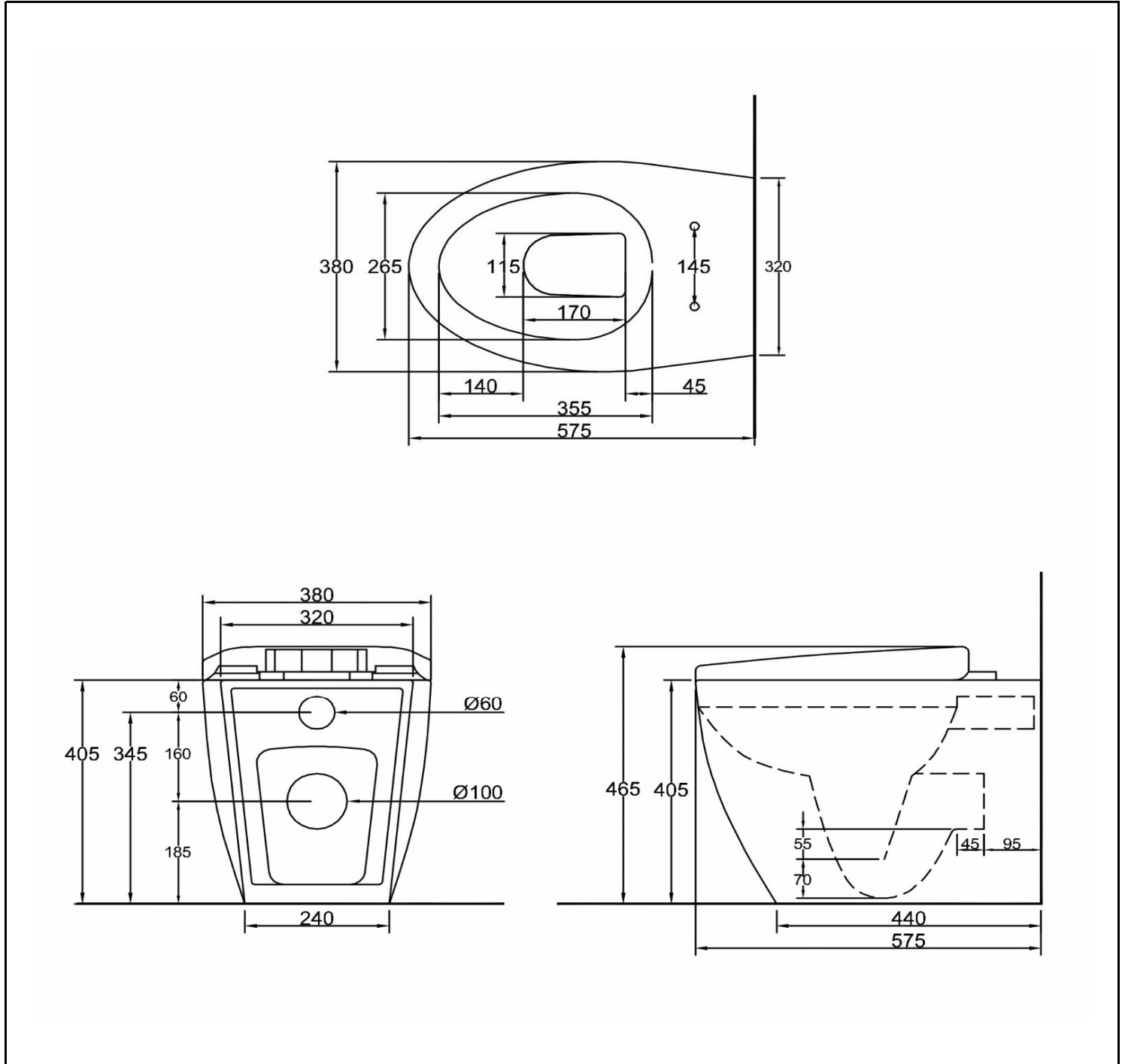
**CRIZTO SINGAPORE PTE LTD**

10 Tampines North Drive 4 #04-08/09/10/11

JTC Space @ Tampines North Singapore 528553

T: +65 6287 5287 | F: +65 6287 9287 | E: sales@crizto.com

W: www.crizto.com | www.facebook.com/CriztoSingapore

**CRIZTO**<sup>®</sup>*a beautiful bathroom speaks well of its owner,  
make yours speak for you!***SANITARY WARE SPECIFICATIONS & TECHNICAL DRAWINGS**

MODEL NO.

**CWC-FP104-WTP**

SERIES

**ANGELITE**

DESCRIPTION

CRIZTO ANGELITE FLOOR MOUNTED WC FOR CONCEALED TANK

DIMENSION

L575MM X W380MM X H405MM

SCALE

1:10

DATE

01-12-2016

DRAWING NO.

CWC-FP104-WTP-01

