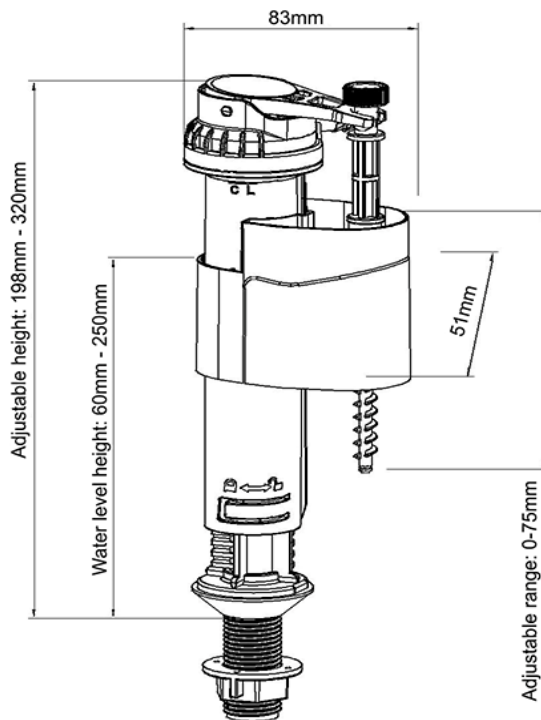



CRIZTO SINGAPORE PTE LTD

10 Tampines North Drive 4 #04-08/09/10/11
JTC Space @ Tampines North Singapore 528553
T: +65 6287 5287 | F: +65 6287 9287 | E: sales@crizto.com
W: www.crizto.com | www.facebook.com/CriztoSingapore



SANITARY WARE SPECIFICATIONS & TECHNICAL DRAWINGS



	MODEL NO. CWC-FVI33-AS	SERIES FLUSH VALVE
	DESCRIPTION CRIZTO WC FILL VALVE	
	DIMENSION	
	SCALE	DATE