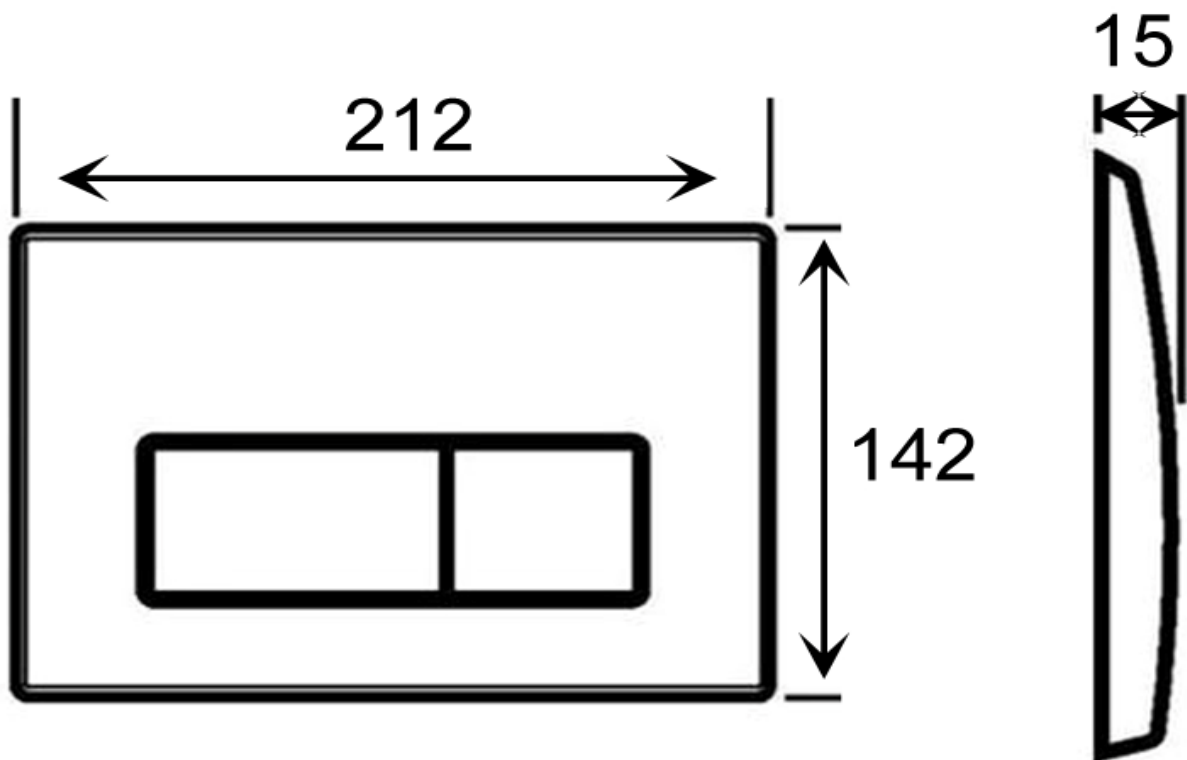


SANITARY WARE SPECIFICATIONS & TECHNICAL DRAWINGS



MODEL NO.	XG-115.260.HC.1		SERIES	ACTUATOR	
DESCRIPTION	GEBERIT KAPPA50 ACTUATOR F/T OP - PALLADIUM				
DIMENSION					
SCALE	DATE	DRAWING NO.			
	01-10-2017	XG-115.260.HC.1-01			