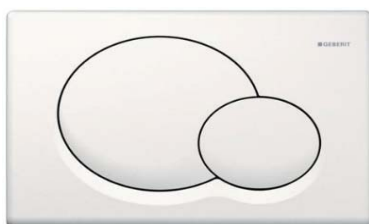
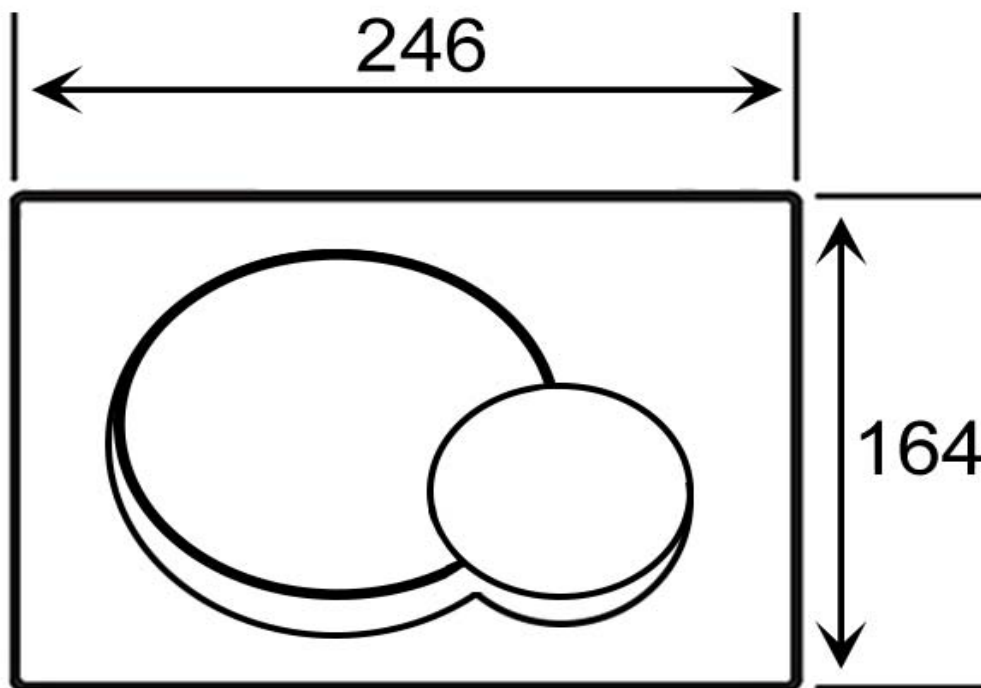


**SANITARY WARE SPECIFICATIONS & TECHNICAL DRAWINGS**



MODEL NO. <b>XG-115.770.DK.1</b>	SERIES <b>ACTUATOR</b>
DESCRIPTION <b>GEBERIT SAMBA DUAL FLUSH ACTUATOR - EDELWHITE</b>	
DIMENSION	
SCALE	DATE <b>01-10-2017</b>
DRAWING NO. <b>XG-115.770.DK.1-01</b>	