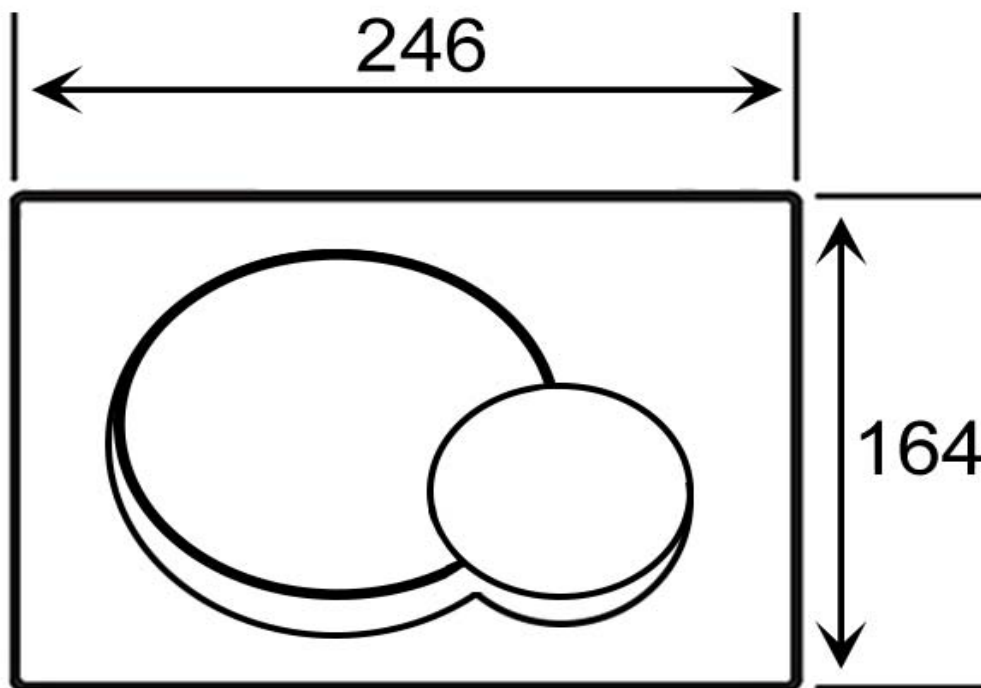


SANITARY WARE SPECIFICATIONS & TECHNICAL DRAWINGS



MODEL NO.	XG-115.770.DW.1		SERIES	ACTUATOR	
DESCRIPTION	GEBERIT SAMBA DUAL FLUSH ACTUATOR - JET BLACK RAL 9005				
DIMENSION					
SCALE	DATE	DRAWING NO.			
	01-10-2017	XG-115.770.DW.1-01			