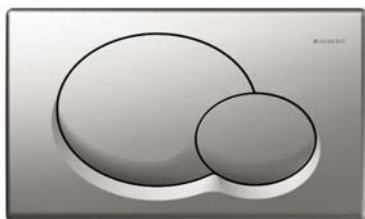
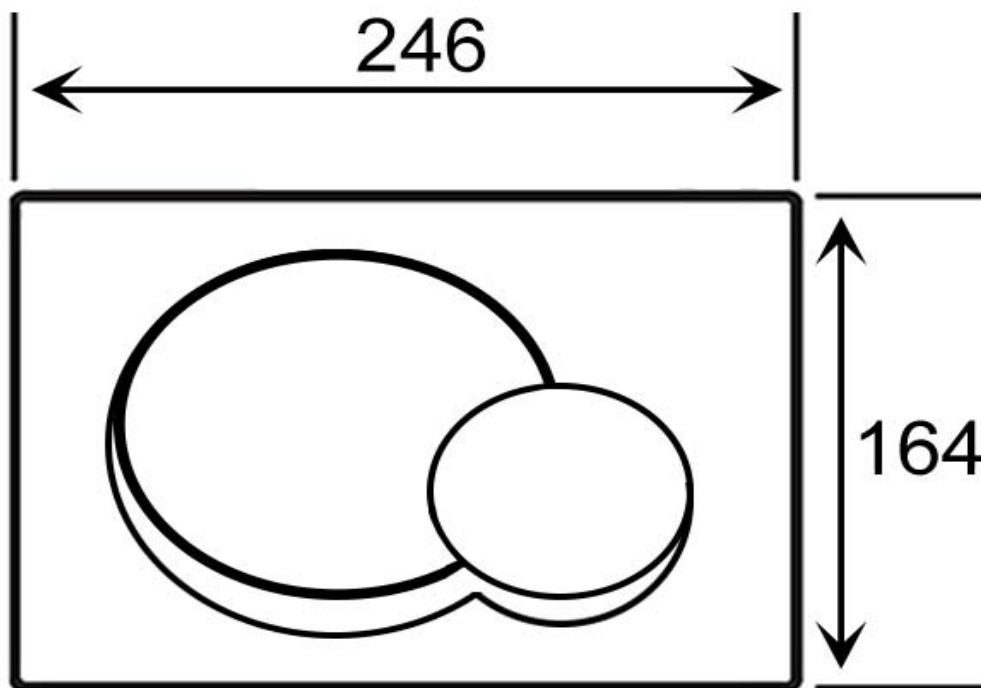


CRIZTO SINGAPORE PTE LTD

10 Tampines North Drive 4 #04-08/09/10/11
 JTC Space @ Tampines North Singapore 528553
 T: +65 6287 5287 | F: +65 6287 9287 | E: sales@crizto.com
 W: www.crizto.com | www.facebook.com/CriztoSingapore

CRIZTO®

*a beautiful bathroom speaks well of its owner,
 make yours speak for you!™*

SANITARY WARE SPECIFICATIONS & TECHNICAL DRAWINGS

MODEL NO. XG-115.770.GM.1	SERIES ACTUATOR
DESCRIPTION GEBERIT SAMBA DUAL FLUSH ACTUATOR - SATINOX	
DIMENSION	
SCALE	DATE 01-10-2017
DRAWING NO. XG-115.770.GM.1-01	