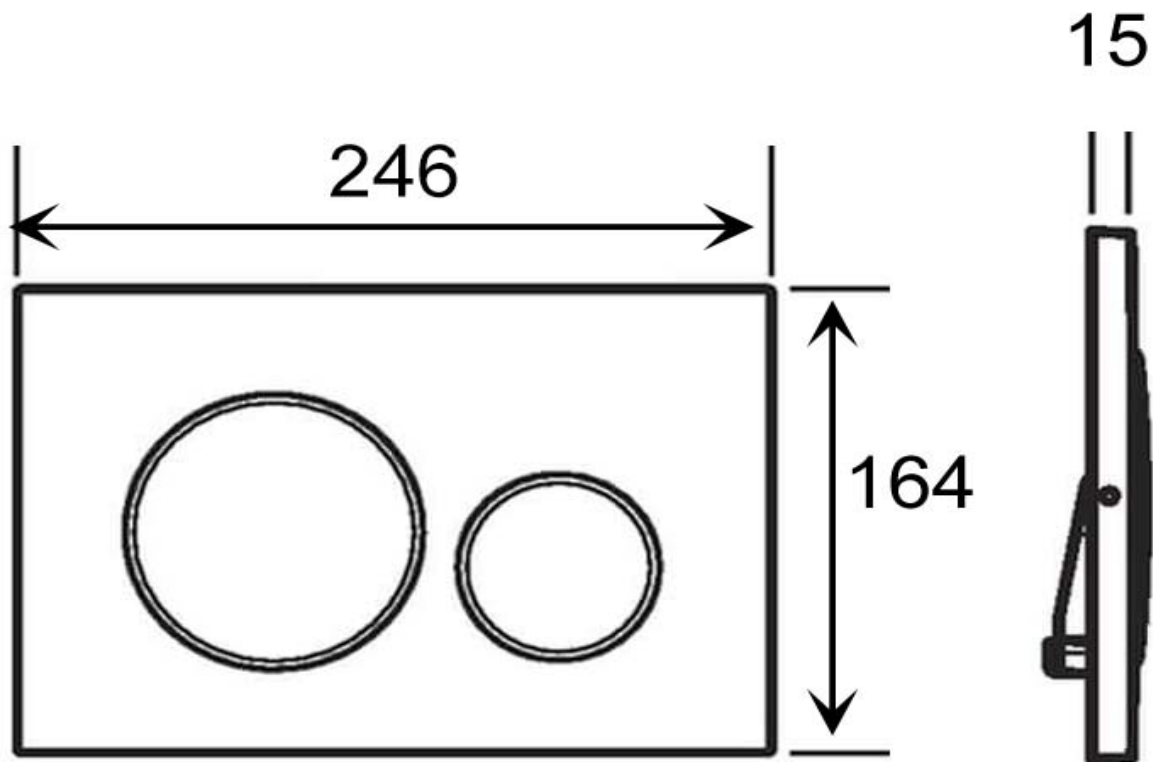


**SANITARY WARE SPECIFICATIONS & TECHNICAL DRAWINGS**



MODEL NO. <b>XG-115.778.KH.1</b>		SERIES <b>ACTUATOR</b>
DESCRIPTION SIGMA20 ACTUATOR F/T OP - BRIGHT/MATT/BRIGHT-CHROME		
DIMENSION		
SCALE	DATE 01-10-2017	DRAWING NO. XG-115.778.KH.1-01