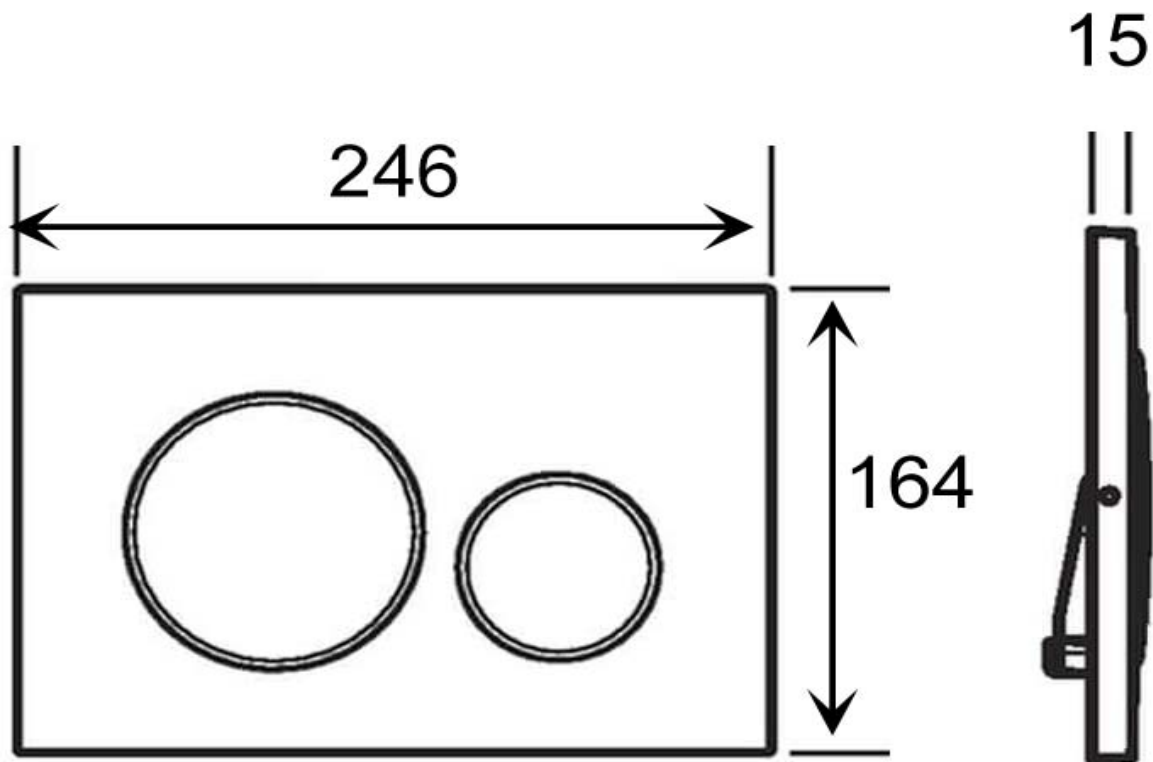


SANITARY WARE SPECIFICATIONS & TECHNICAL DRAWINGS



| | | |
|--|--------------------|-----------------------------------|
| MODEL NO. XG-115.778.KL.1 | | SERIES ACTUATOR |
| DESCRIPTION SIGMA20 ACTUATOR F/T OP - WHITE/MATT-CHR/MATT-CHR | | |
| DIMENSION | | |
| SCALE | DATE 01-10-2017 | DRAWING NO. XG-115.778.KL.1-01 |