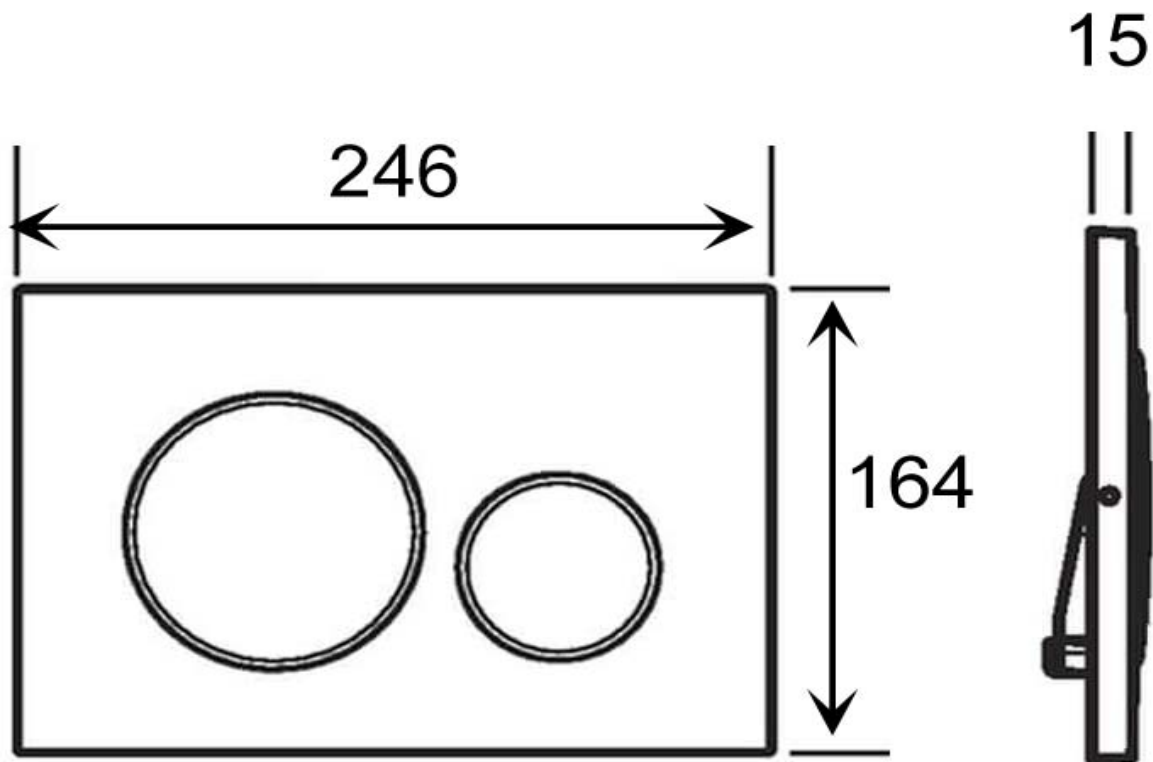



SANITARY WARE SPECIFICATIONS & TECHNICAL DRAWINGS



	MODEL NO.	SERIES	
	XG-115.778.SN.1	ACTUATOR	
	DESCRIPTION		
	SIGMA20 ACTUATOR F/T OP - BRUSHED STAINLESS		
DIMENSION			
SCALE	DATE	DRAWING NO.	
	01-10-2017	XG-115.778.SN.1-01	