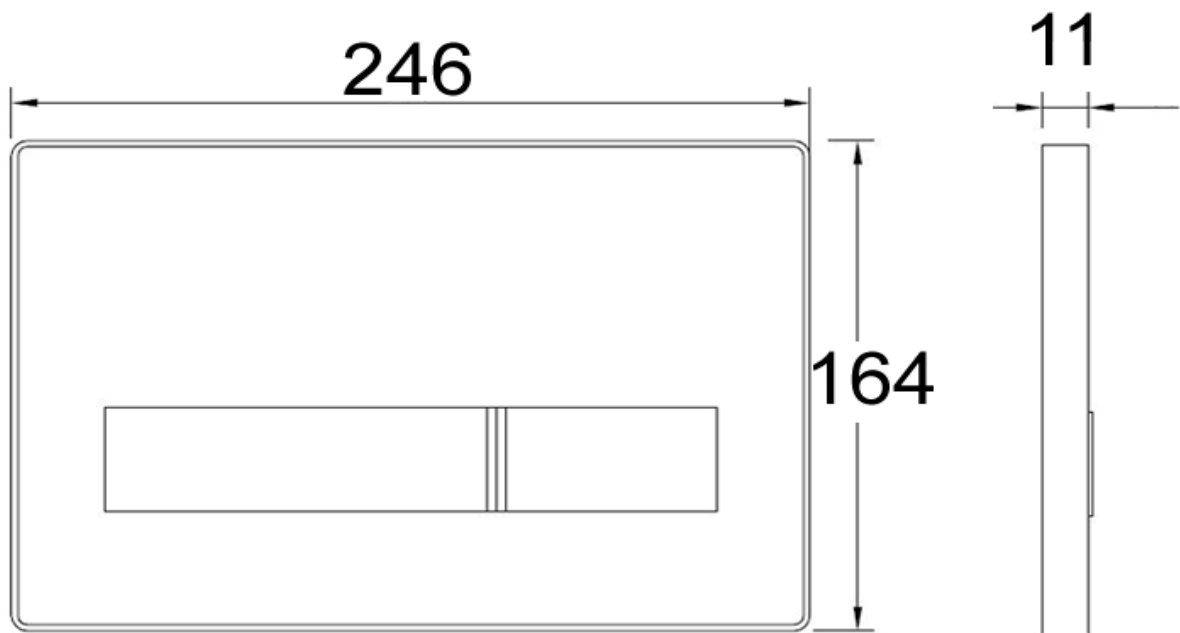


**SANITARY WARE SPECIFICATIONS & TECHNICAL DRAWINGS**



MODEL NO. <b>XG-115.788.11.5</b>		SERIES <b>ACTUATOR</b>
DESCRIPTION GEBERIT SIGMA50 ACTUATOR F/T OP - WHITE ALPINE		
DIMENSION		
SCALE	DATE 01-10-2017	DRAWING NO. XG-115.788.11.5-01