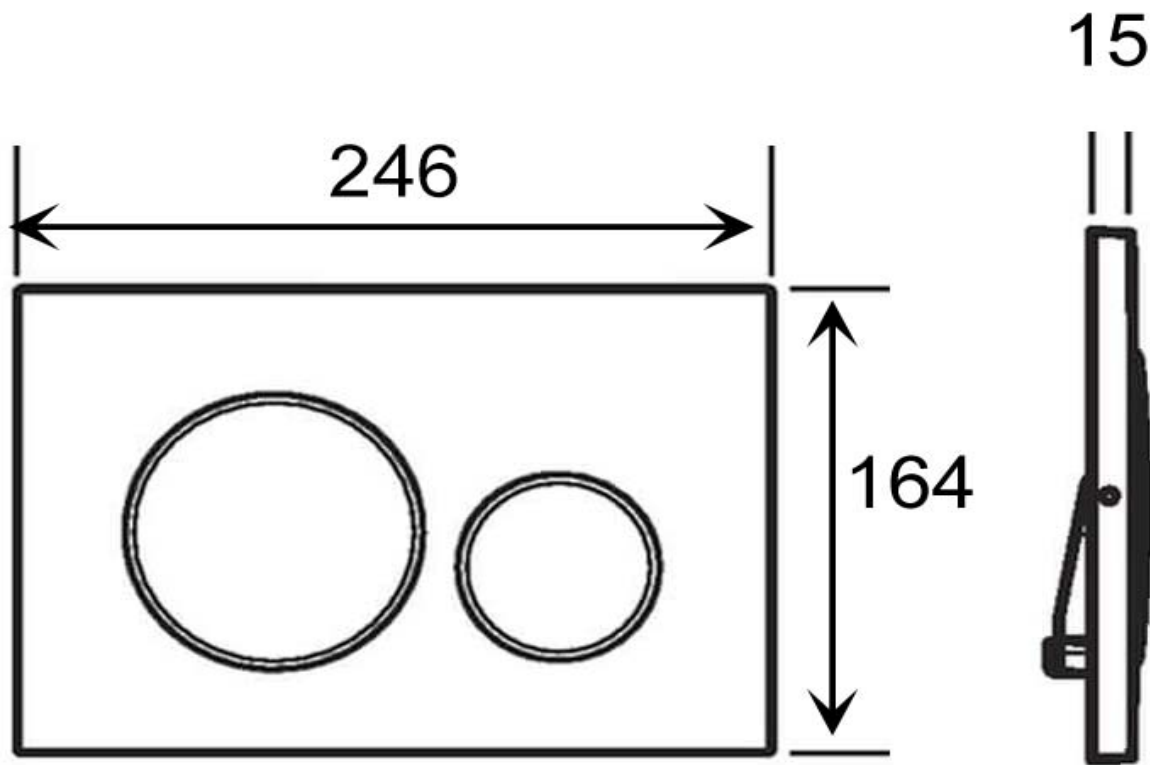


SANITARY WARE SPECIFICATIONS & TECHNICAL DRAWINGS



MODEL NO.	XG-115.882.KJ.1		SERIES	ACTUATOR	
DESCRIPTION	GEBERIT SIGMA20 ACTUATOR F/T OP - WCW				
DIMENSION					
SCALE	DATE	DRAWING NO.			
	01-10-2017	XG-115.882.KJ.1-01			