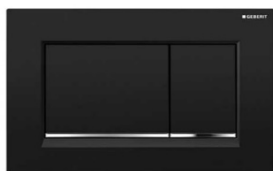
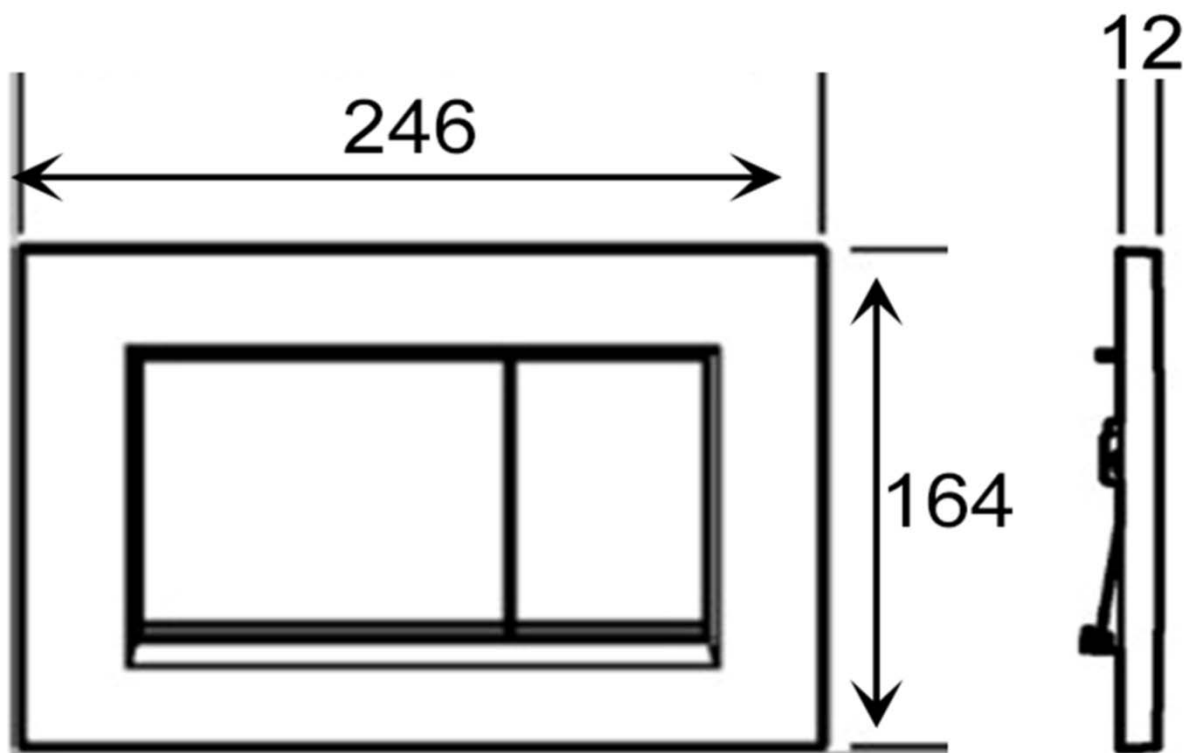


**SANITARY WARE SPECIFICATIONS & TECHNICAL DRAWINGS**



	MODEL NO. <b>XG-115.883.KM.1</b>	SERIES <b>ACTUATOR</b>
	DESCRIPTION GEBERIT SIGMA30 ACTUATOR F/T OP - BCB	
	DIMENSION	
	SCALE	DATE 01-10-2017