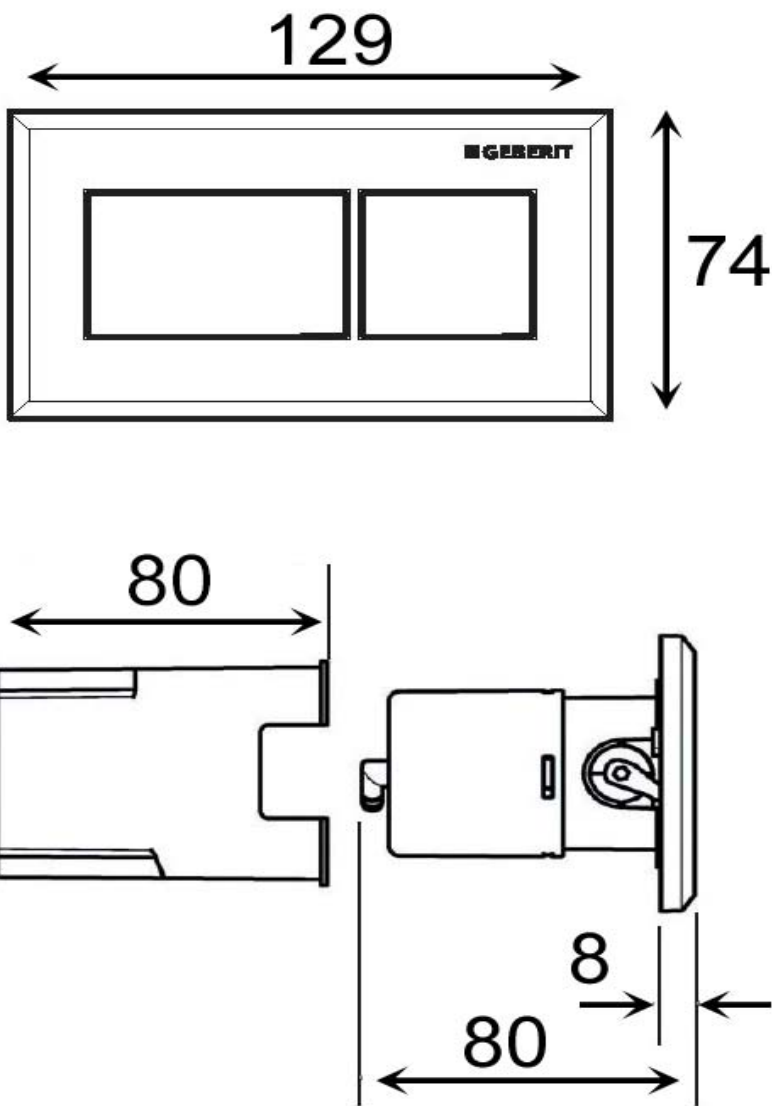


CRIZTO SINGAPORE PTE LTD

10 Tampines North Drive 4 #04-08/09/10/11
 JTC Space @ Tampines North Singapore 528553
 T: +65 6287 5287 | F: +65 6287 9287 | E: sales@crizto.com
 W: www.crizto.com | www.facebook.com/CriztoSingapore



SANITARY WARE SPECIFICATIONS & TECHNICAL DRAWINGS



MODEL NO.	XG-115.932.GH.1	SERIES	ACTUATOR
DESCRIPTION	PNEUMATIC DUAL FLUSH ACTUATOR - BRUSH CHROME		
DIMENSION			
SCALE	DATE	DRAWING NO.	
	01-10-2017	XG-115.932.GH.1-01	