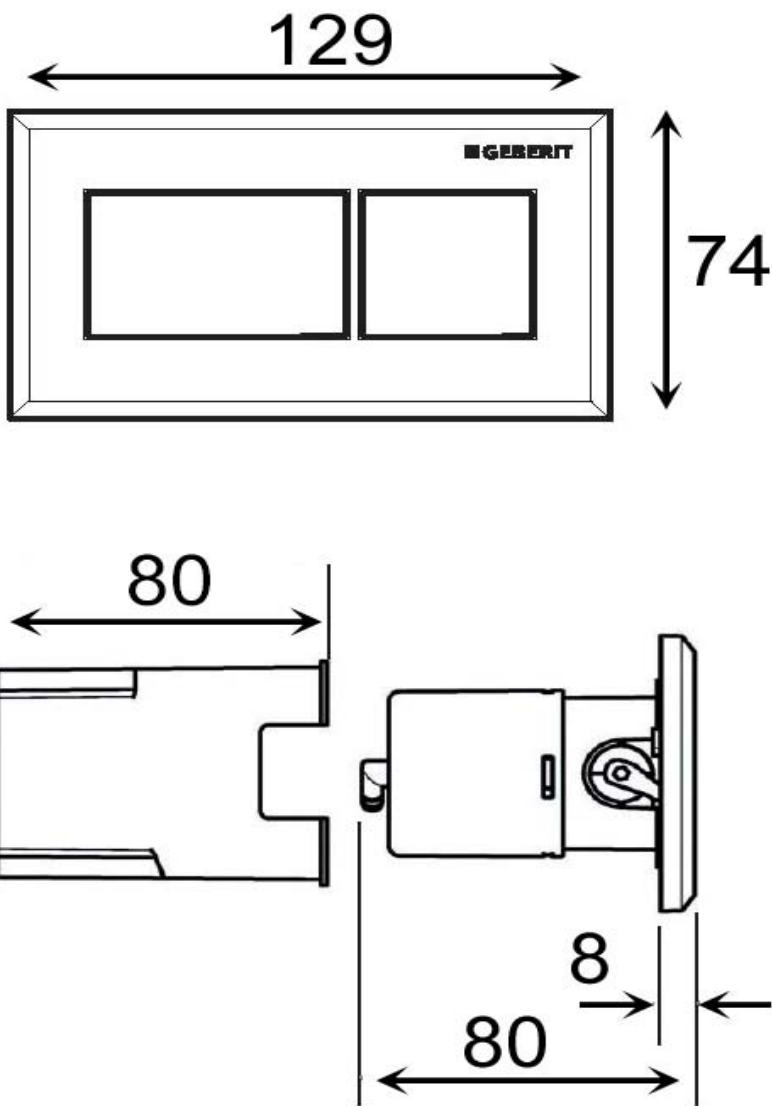


CRIZTO SINGAPORE PTE LTD

10 Tampines North Drive 4 #04-08/09/10/11
JTC Space @ Tampines North Singapore 528553
T: +65 6287 5287 | F: +65 6287 9287 | E: sales@crizto.com
W: www.crizto.com | www.facebook.com/CriztoSingapore



SANITARY WARE SPECIFICATIONS & TECHNICAL DRAWINGS



MODEL NO.	XG-115.932.KA.1	SERIES	ACTUATOR
DESCRIPTION	PNEUMATIC DUAL FLUSH ACTUATOR - BRIGHT MATT		
DIMENSION			
SCALE	DATE	DRAWING NO.	
	01-10-2017	XG-115.932.KA.1-01	