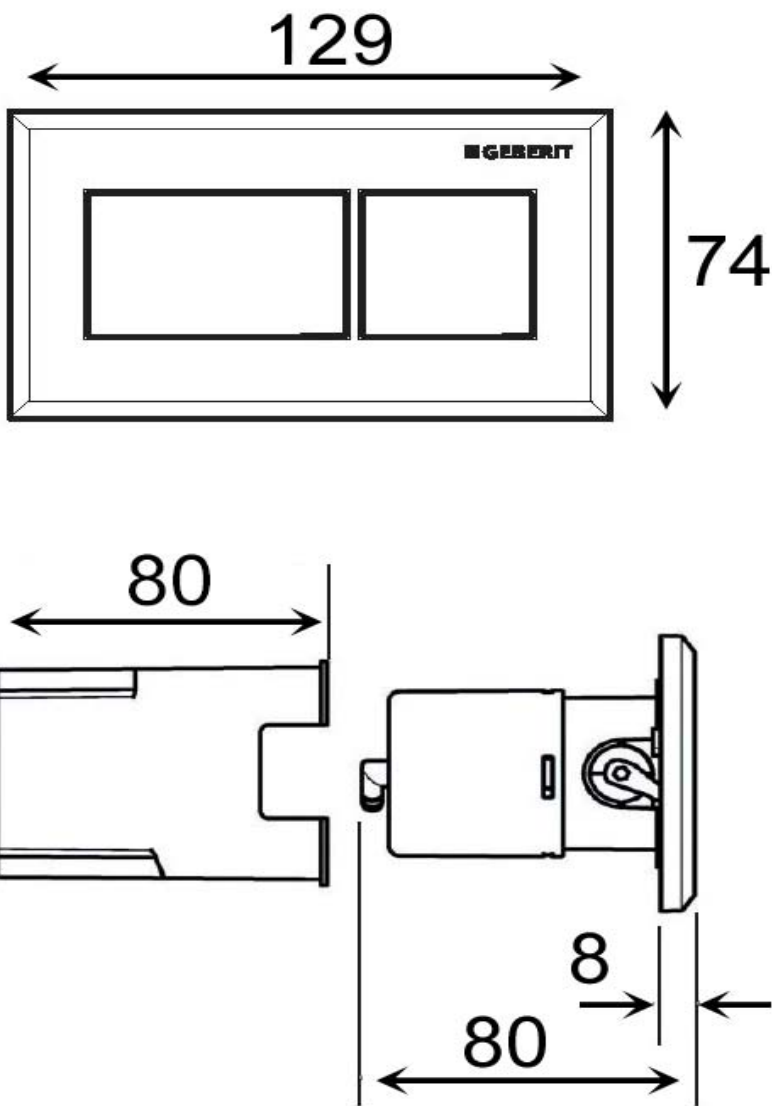


**CRIZTO SINGAPORE PTE LTD**

10 Tampines North Drive 4 #04-08/09/10/11  
 JTC Space @ Tampines North Singapore 528553  
 T: +65 6287 5287 | F: +65 6287 9287 | E: sales@crizto.com  
 W: www.crizto.com | www.facebook.com/CriztoSingapore



**SANITARY WARE SPECIFICATIONS & TECHNICAL DRAWINGS**



MODEL NO.	XG-115.932.KS.1		SERIES	ACTUATOR	
DESCRIPTION	PNEUMATIC DUAL FLUSH ACTUATOR - BRIGHT CHROME				
DIMENSION					
SCALE	DATE	DRAWING NO.			
	01-10-2017	XG-115.932.KS.1-01			